

## Possible applications

Illustration provided as an example



- » Mounted installation
- » Sash mounting
- » Frame mounting
- » Side installation
- » Installation opposite the hinge
- » Application force
- » Application tension

1

2

3

4

5

6

7

8

9

10

11

12

13

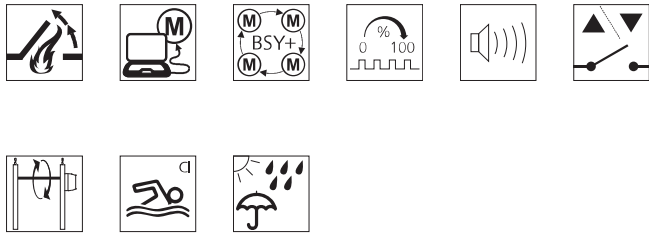
14

15

# ZA-K-BSY+

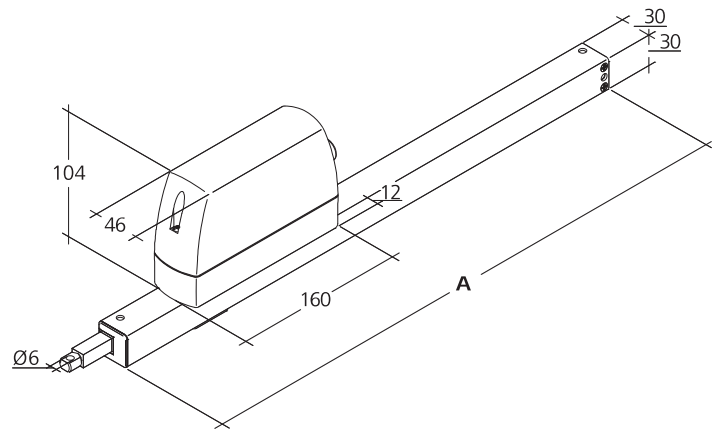
## Potential drive options

You can find the explanations for the icons on the last page.



## Dimensions

All specifications in mm

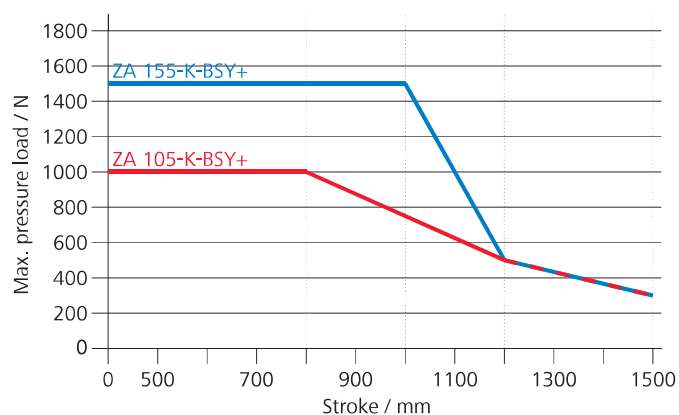
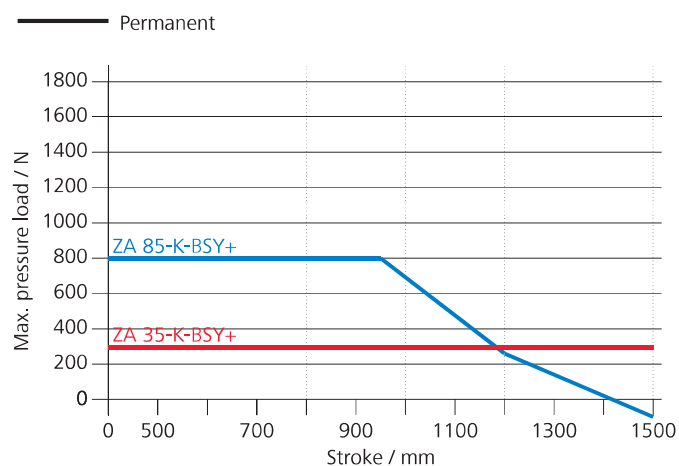


## Design

Type	Art. No.	Dimension A	Remark
ZA-K-BSY+	27.007.01	225 - 1662 mm	Variable equipment possible

Brackets are not included and have to be ordered separately; suitable brackets starting on page 198

## Pressure load diagram



## Technical data

	ZA 35-K-BSY+	ZA 85-K-BSY+	ZA 105-K-BSY+	ZA 155-K-BSY+
Supply	230 V AC / +10 % ... -15 %			
Input frequency	50 Hz			
Performance	20 W / 30 VA	30 W / 45 VA	35 W / 55 VA	45 W / 70 VA
Duty cycle	30 % (ON: 3 min. / OFF: 7 min.)			
Force of pressure	300 N	800 N	1000 N	1500 N
Tensile force	300 N	800 N	1000 N	1000 N
Nominal locking force	1100 N			
Service life	20000 double strokes *			
Stroke	100 - 1500 mm			
OPEN running speed	7.1 mm/s			
OPEN running speed - SHEV	8 mm/s			
CLOSED running speed	7.1 mm/s			
Type of protection	IP 65			
Emission sound pressure level	LpA ≤ 51 dB(A)			
Temperature range	-5 °C ... +75 °C			
Fire resistance	B300 (30 min / 300 °C)			
Housing	Aluminium / Polycarbonate			
Surface	Powder-coated			
Colour	White aluminium (~RAL 9006)			
Connection	2.5 m silicone cable			
Dimension A	225 - 1662 mm			

For an illustration of the dimensions, see the next page.

\* For vertical use, please consult with D+H Sales!

# ZA-K-BSY+



## Performance features

- » Can be used for openings for smoke exhaust; D+H Euro SHEV in accordance with EN 12101-2; and for daily ventilation
- » With BSY+ motor and synchronised electronics controlled via microprocessor
- » High-speed function (HS) for especially fast opening windows in case of fire (SHEV) (optionally available)
- » Direct control via 230 V AC
- » Option of up to 4 drives in one synchronous group
- » Low current consumption thanks to high efficiency
- » Option of cable infeed above and below
- » Drive unit can be changed from left to right
- » Running speed in CLOSED direction decreases to 5 mm/s (passive closing edge protection)
- » Time-controlled reversing when an obstacle is detected in the CLOSED direction (active closing edge protection)

## Approvals / Certificates

Find out about permission details from your D+H Partner.



5014068.16001



Article also available with the following permissions under other article numbers. Technical data may deviate.