

Possible applications

Illustration provided as an example



- » Mounted installation
- » Sash mounting
- » Frame mounting
- » Side installation
- » Installation opposite the hinge
- » Application force
- » Application tension

1

2

3

4

5

6

7

8

9

10

11

12

13

14

15

ZA 105-K

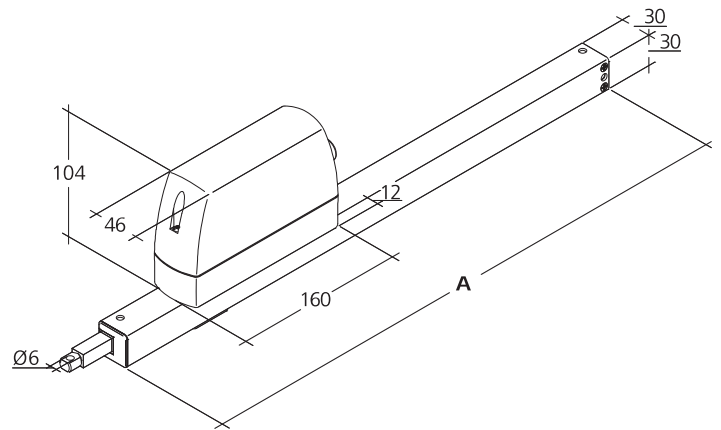
Potential drive options

You can find the explanations for the icons on the last page.



Dimensions

All specifications in mm

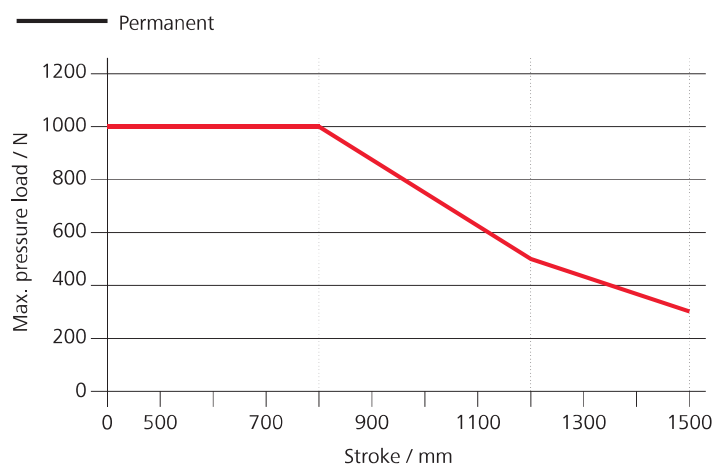


Design

Type	Art. No.	Stroke	Dimension A	Weight	Remark
ZA 105/350-K	27.007.05	350 mm	512 mm	1.72 kg	
ZA 105/500-K	27.007.10	500 mm	662 mm	1.95 kg	
ZA 105/800-K	27.007.15	800 mm	962 mm	2.40 kg	Without holes on bottom, only for topside mounting
ZA-K	27.007.02				Variable equipment possible

Brackets are not included and have to be ordered separately; suitable brackets starting on page 198

Pressure load diagram



Technical data

ZA 105-K

Supply	230 V AC / +10 % ... -15 %
Input frequency	50 Hz
Performance	27 W / 30 VA
Duty cycle	30 % (ON: 3 min. / OFF: 7 min.)
Force of pressure	1000 N
Tensile force	1000 N
Nominal locking force	1100 N
Service life	20000 double strokes *
Stroke	100 - 1500 mm
OPEN running speed	10 mm/s
CLOSED running speed	10 mm/s
Type of protection	IP 65
Emission sound pressure level	LpA ≤ 51 dB(A)
Temperature range	-5 °C ... +75 °C
Housing	Aluminium / Polycarbonate
Surface	Powder-coated
Colour	White aluminium (~ RAL 9006)
Connection	2.5 m silicone cable
Dimension A	225 - 1662 mm

For an illustration of the dimensions, see the next page.

* For vertical use, please consult with D+H Sales!

ZA 105-K



Performance features

- » Can be used for openings for smoke exhaust; D+H Euro SHEV in accordance with EN 12101-2; and for daily ventilation
- » Direct control via 230 V AC
- » Low current consumption thanks to high efficiency
- » Option of cable infeed above and below
- » Drive unit can be changed from left to right
- » Running speed in CLOSED direction decreases to 5 mm/s (passive closing edge protection)
- » Time-controlled reversing when an obstacle is detected in the CLOSED direction (active closing edge protection)

Approvals / Certificates

Find out about permission details from your D+H Partner.



5014068.16001

