

Possible applications

Illustration provided as an example



- » Mounted installation
- » Sash mounting
- » Frame mounting
- » Side installation
- » Installation opposite the hinge
- » Application force
- » Application tension

1

2

3

4

5

6

7

8

9

10

11

12

13

14

15

ZA-1-PLP

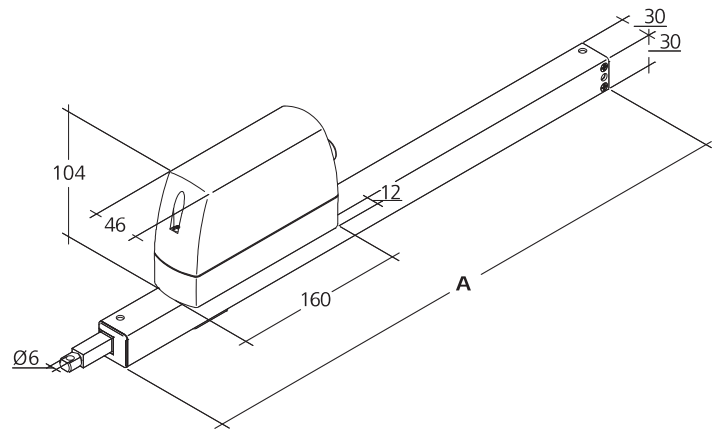
Potential drive options

You can find the explanations for the icons on the last page.



Dimensions

All specifications in mm

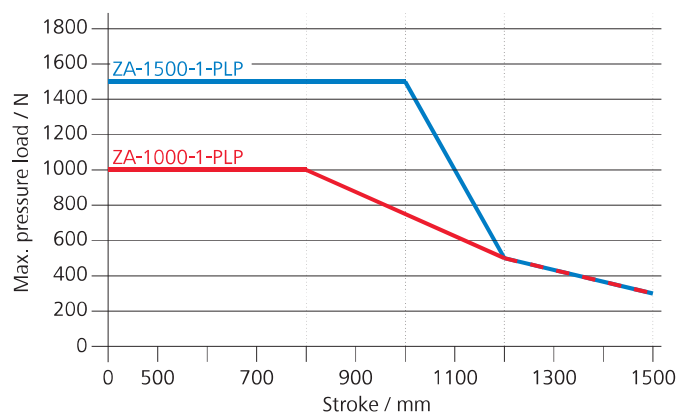
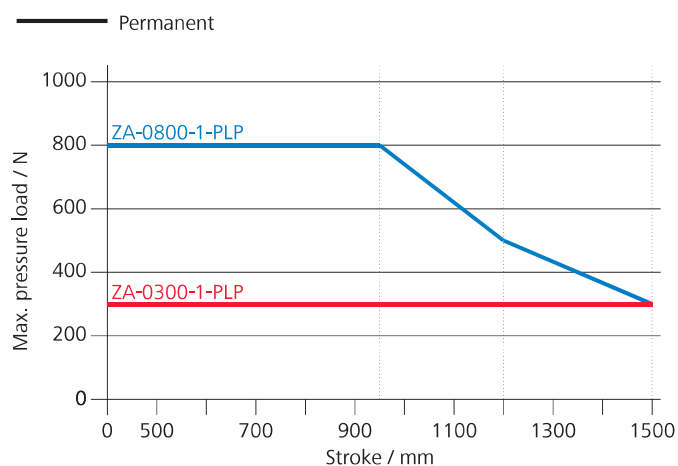


Design

Type	Art. No.	Stroke	Dimension A	Weight	Remark
ZA-0300-0350-1-PLP-R	27.005.05	350 mm	512 mm	1.72 kg	
ZA-0300-0500-1-PLP-R	27.005.10	500 mm	662 mm	1.95 kg	
ZA-0300-0600-1-PLP-R	27.005.15	600 mm	762 mm	2.10 kg	
ZA-0800-0350-1-PLP-R	27.005.30	350 mm	512 mm	1.72 kg	
ZA-0800-0500-1-PLP-R	27.005.35	500 mm	662 mm	1.95 kg	
ZA-0800-0600-1-PLP-R	27.005.40	600 mm	762 mm	2.10 kg	
ZA-0800-0800-1-PLP-R	27.005.45	800 mm	962 mm	2.40 kg	Without holes on bottom, only for topside mounting
ZA-0800-1000-1-PLP-R	27.005.50	1000 mm	1162 mm	2.70 kg	Without holes on bottom, only for topside mounting
ZA-1-PLP	27.005.00				Variable equipment possible

Brackets are not included and have to be ordered separately; suitable brackets starting on page 198

Pressure load diagram



Technical data

	ZA-0300-1-PLP	ZA-0800-1-PLP	ZA-1000-1-PLP	ZA-1500-1-PLP
Supply	24 V DC / ±15 % / 0.5 A	24 V DC / ±15 % / 1 A	24 V DC / ±15 % / 1.2 A	24 V DC / ±15 % / 1.4 A
Duty cycle	30 % (ON: 3 min. / OFF: 7 min.)			
Force of pressure	300 N	800 N	1000 N	1500 N
Tensile force	300 N	800 N	1000 N	1000 N
Nominal locking force	1100 N			
Service life	20000 double strokes *			
Stroke	100 - 1500 mm			
OPEN running speed	7.1 mm/s			
OPEN running speed - SHEV	8 mm/s			
CLOSED running speed	7.1 mm/s			
Type of protection	IP 65			
Emission sound pressure level	LpA ≤ 51 dB(A)			
Temperature range	-5 °C ... +75 °C			
Fire resistance	B300 (30 min / 300 °C)			
Housing	Aluminium / Polycarbonate			
Surface	Powder-coated			
Colour	White aluminium (~ RAL 9006)			
Connection	2.5 m silicone cable			
Dimension A	225 - 1662 mm			

For an illustration of the dimensions, see the next page.

* For vertical use, please consult with D+H Sales!

ZA-1-PLP



Performance features

- » Can be used for openings for smoke exhaust; D+H Euro SHEV in accordance with EN 12101-2; and for daily ventilation
- » With motor electronics controlled via microprocessor
- » High-speed function (HS) for especially fast opening windows in case of fire (SHEV) (optionally available)
- » Low current consumption thanks to high efficiency
- » Option of cable infeed above and below
- » Drive unit can be changed from left to right
- » Programmable drive functions and different drive parameters
- » Running speed in CLOSED direction decreases to 5 mm/s (passive closing edge protection)
- » Time-controlled reversing when an obstacle is detected in the CLOSED direction (active closing edge protection)

Approvals / Certificates

Find out about permission details from your D+H Partner.



G 500001



Article also available with the following permissions under other article numbers. Technical data may deviate.

