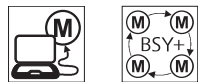


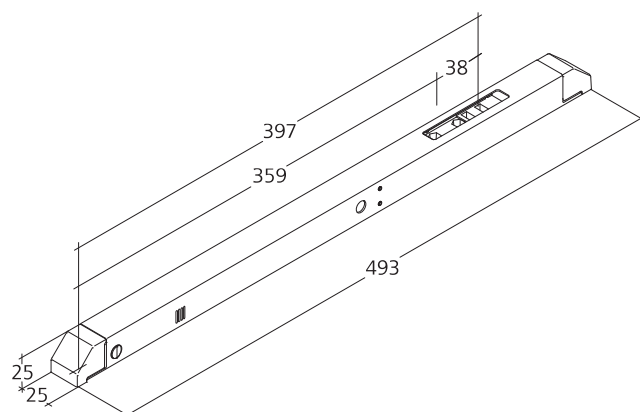
Potential drive options

You can find the explanations for the icons on the last page.



Dimensions

All specifications in mm



Technical data

	VLD 51	VLD 51-BSY+
Supply	24 V DC / $\pm 20\%$ / 1 A	
Duty cycle	30 % (ON: 3 min. / OFF: 7 min.)	
Locking force	500 N	
Breakaway force	1000 N	
Service life	> 10000 cycles	
OPEN running speed	4.2 mm/s	3.3 mm/s
OPEN running speed - SHEV	-	4.2 mm/s
CLOSED running speed	4.2 mm/s	3.3 mm/s
Type of protection	IP 50	
Emission sound pressure level	LpA \leq 70 dB(A)	
Temperature range	-5 °C ... +50 °C	
Fire resistance	B300 (30 min / 300 °C)	
Housing	V2A stainless steel	
Connection	2.5 m silicone cable	
W x H x D	493 x 25 x 25 mm	

Design

Type	Art. No.	Stroke	Weight	Remark
VLD 51/038	23.060.50	38 mm	1.20 kg	
VLD	23.060.00		1.20 kg	Variable equipment possible
VLD 51/038-BSY+	23.060.70	38 mm	1.20 kg	
VLD-BSY+	23.060.80		1.20 kg	Variable equipment possible
PI-VLD	23.066.10		0.20 kg	Integrated installation
RE-VLD	23.066.00		0.20 kg	Mounted installation
VLD-BS009-IM	24.AFK.KS		0.20 kg	Mounted installation

VLD 51 / VLD 51-BSY+



Performance features

- » Can be used for openings for smoke exhaust; D+H Euro SHEV in accordance with EN 12101-2; and for daily ventilation
- » Up to 6 VLD BSY+ drives on one window possible
- » For operating standard latch pane fittings
- » Programmable drive functions and different drive parameters (VLD 51-BSY+)
- » Manual emergency unlocking possible
- » Configurable locking direction on the drive
- » Increased burglary protection

Approvals / Certificates

Find out about permission details from your D+H Partner.

Article also available with the following permissions under other article numbers. Technical data may deviate.

