

Possible applications

Illustration provided as an example



- » Mounted installation
- » Sash mounting
- » Frame mounting
- » Application force
- » Application tension

1

2

3

4

5

6

7

8

9

10

11

12

13

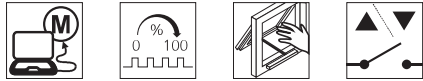
14

15

VCD 204 / VCD 204-TMS+ Set

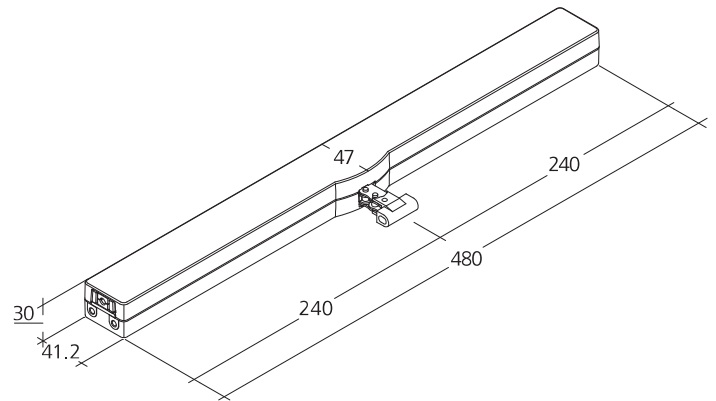
Potential drive options

You can find the explanations for the icons on the last page.



Dimensions

All specifications in mm



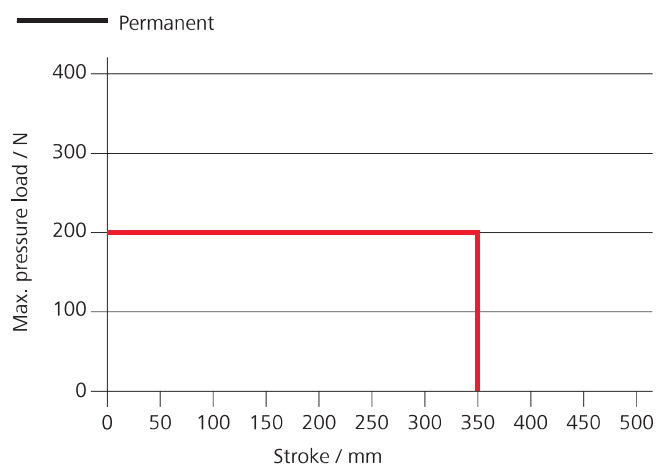
Design

Type	Art. No.	Stroke	Colour	Remark
VCD 204/250 (SR)	25.100.05	250 mm	Silver (~ RAL 9006)	
VCD 204/250 (BK)	25.100.07	250 mm	Black (~ RAL 9005)	
VCD 204/250 (WH)	25.100.06	250 mm	White (~ RAL 9016)	
VCD 204/350 (SR)	25.100.10	350 mm	Silver (~ RAL 9006)	
VCD 204/350 (BK)	25.100.12	350 mm	Black (~ RAL 9005)	
VCD 204/350 (WH)	25.100.11	350 mm	White (~ RAL 9016)	
VCD 204/350-TMS+ Set (SR)	25.122.05	350 mm	Silver (~ RAL 9006)	
VCD 204/350-TMS+ Set (BK)	25.122.07	350 mm	Black (~ RAL 9005)	
VCD 204/350-TMS+ Set (WH)	25.122.06	350 mm	White (~ RAL 9016)	
VCD 204-PLP	25.100.00			Variable equipment possible

Brackets are not included and have to be ordered separately; suitable brackets starting on page 170

Pressure load diagram

Specification per drive



Technical data

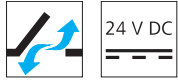
Specification per drive

	VCD 204	VCD 204-TMS+ Set
Supply	24 V DC / $\pm 20\%$ / 0.35 A	
Duty cycle	30 % (ON: 3 min. / OFF: 7 min.)	
Force of pressure	200 N	
Tensile force	200 N	
Nominal locking force	2000 N	
Service life	20000 double strokes *	
Stroke	250 - 350 mm	
OPEN running speed	6 mm/s	
CLOSED running speed	6 mm/s	
Type of protection	IP 30	
Emission sound pressure level	LpA \leq 46 dB(A)	
Temperature range	0 °C ... +60 °C	
Housing	Die-cast zinc	
Surface	Powder-coated	
Connection	2.5 m PVC-cable	
W x H x D	480 x 30 x 47 mm	
Weight	1.50 kg	

For an illustration of the dimensions, see the next page.

* For vertical use, please consult with D+H Sales!

VCD 204 / VCD 204-TMS+ Set



Performance features

- » For façade windows, roof windows and ventilation flaps in conservatories
- » With motor electronics controlled via microprocessor
- » Special chain stabilisation and centred chain outlet
- » "TMS+" tandem safety function for operating 2 drives on one sash
- » Option of chain stroke programming via magnet
- » Reprogrammed opening stroke is transmitted to the tandem drive
- » Direct cable guidance between the drives for visually appealing solution (VCD 204-TMS+ Set)
- » Simple connection via plug connector
- » Programmable drive functions and different drive parameters
- » Running speed in CLOSED direction decreases to 5 mm/s (passive closing edge protection)
- » Time-controlled reversing when an obstacle is detected in the CLOSED direction (active closing edge protection)

Approvals / Certificates

Find out about permission details from your D+H Partner.



5014068.18003

Article also available with the following permissions under other article numbers. Technical data may deviate.

