

## Possible applications

Illustration provided as an example



- » Mounted installation
- » Sash mounting
- » Frame mounting
- » Application force
- » Application tension
- » Trapezoidal application

1

2

3

4

5

6

7

8

9

10

11

12

13

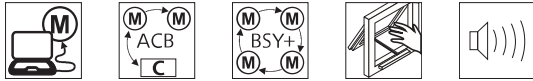
14

15

# VCD-0204-1-ACB

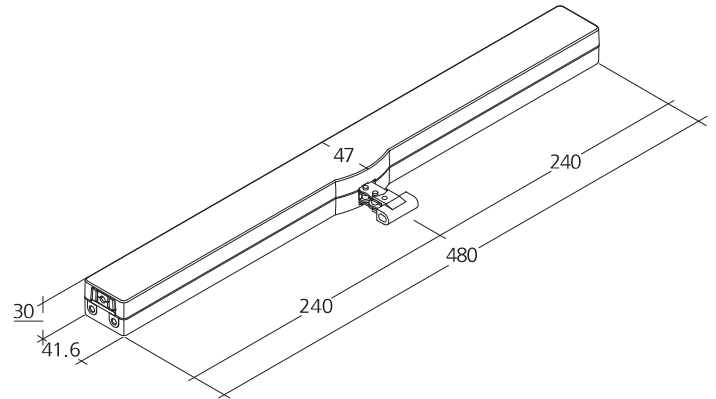
## Potential drive options

You can find the explanations for the icons on the last page.



## Dimensions

All specifications in mm

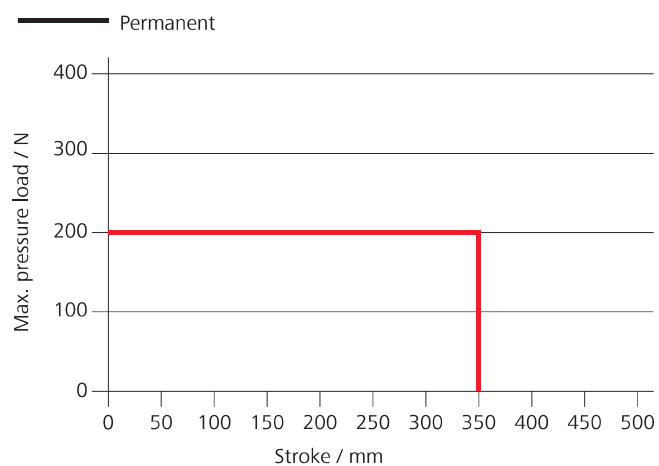


## Design

Type	Art. No.	Stroke	Remark
VCD-0204-0250-1-ACB M1-M	25.155.15	250 mm	
VCD-0204-0350-1-ACB M1-M	25.155.25	350 mm	
VCD-0204-1-ACB	25.155.35		Variable equipment possible

Brackets are not included and have to be ordered separately; suitable brackets starting on page 170

## Pressure load diagram



## Technical data

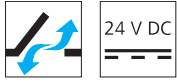
### VCD-0204-1-ACB

Supply	24 V DC / $\pm 20\%$ / 0.35 A
Duty cycle	30 % (ON: 3 min. / OFF: 7 min.)
Force of pressure	200 N
Tensile force	200 N
Nominal locking force	2000 N
Service life	20000 double strokes *
Stroke	250 - 350 mm
OPEN running speed	6 mm/s
CLOSED running speed	6 mm/s
Type of protection	IP 30
Emission sound pressure level	$LpA \leq 46$ dB(A)
Temperature range	0 °C ... +60 °C
Housing	Die-cast zinc
Surface	Powder-coated
Colour	Silver (~ RAL 9006)
Connection	2.5 m PVC-cable
W x H x D	480 x 30 x 47 mm
Weight	1.55 kg

For an illustration of the dimensions, see the next page.

\* For vertical use, please consult with D+H Sales!

# VCD-0204-1-ACB



## Performance features

- » For façade windows, roof windows and ventilation flaps in conservatories
- » With BSY+ motor and synchronised electronics controlled via microprocessor
- » Special chain stabilisation and centred chain outlet
- » Option of up to 8 drives in one synchronous group
- » Simple connection via plug connector
- » Programmable drive functions and different drive parameters
- » Running speed in CLOSED direction decreases to 5 mm/s (passive closing edge protection)
- » Time-controlled reversing when an obstacle is detected in the CLOSED direction (active closing edge protection)
- » Integrated ACB (Advanced Communication Bus) bus interface with Modbus RTU protocol
- » The drive is integrated directly via open bus communication through the ACB (Advanced Communication Bus), e.g. in a building management system