



Glos RA



I. Description

A system of solutions for roof access.

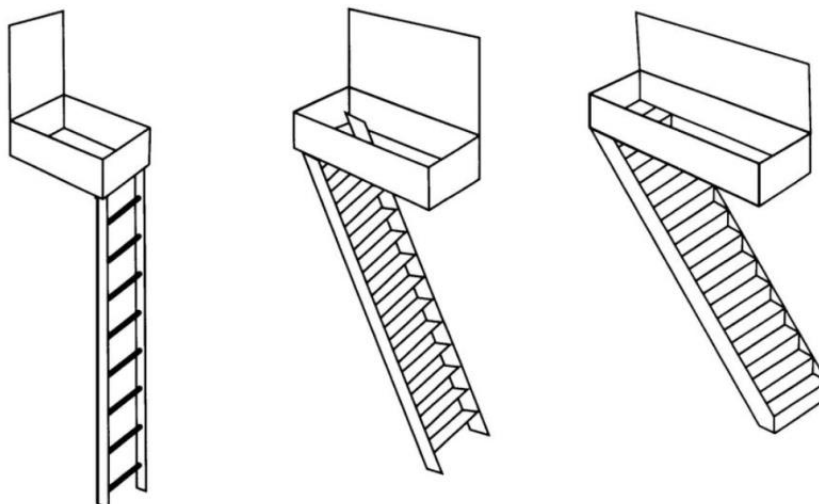
1.1. Integrity in

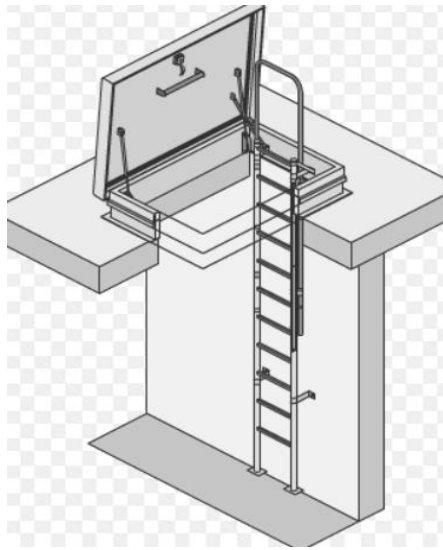
- All types of roof packages and constructions
- All types of constructions
- Roof lights

1.2. Function

- Roof access
- Natural day light
- Natural ventilation

II. Components

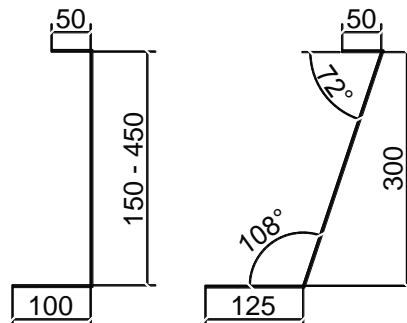




2.1. Basement

No	Type of materials	Thikness	Height	Coefficient of thermal transmission
1	Galvanized steel	1,2 mm	150 mm	50mm mineral wool $U_g=0,9W/m^2.K$
2	Stainless steel	1,5 mm	300 mm	100mm mineral wool $U_g=0,5W/m^2.K$
3	Al/Mg alloy	2,0 mm	450 mm	

Basement can be straight or sloped.



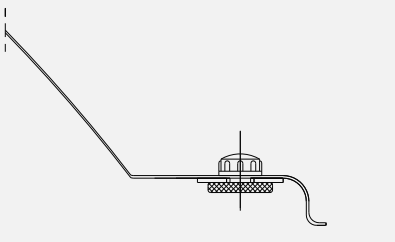
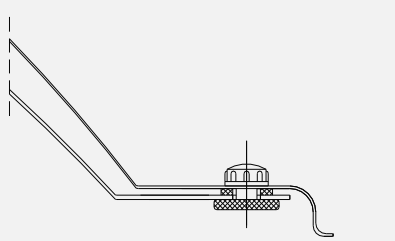
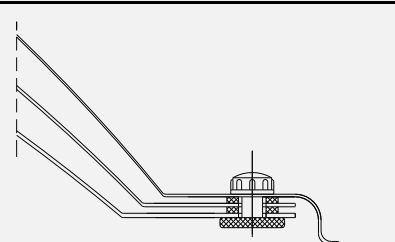
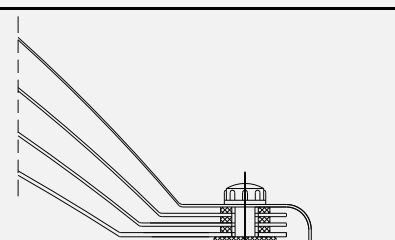
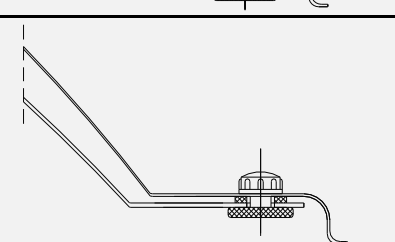
Sizes:

- From 500 to 2000mm width
- From 500 to 3000mm length

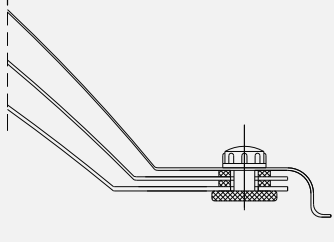
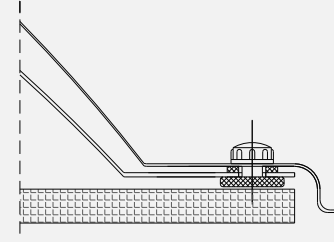


2.2.Types upper parts

2.2.1. Thermo formed upper parts - 1, 2, 3 or 4 layers:

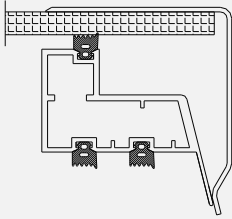
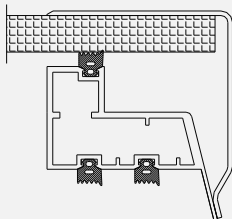
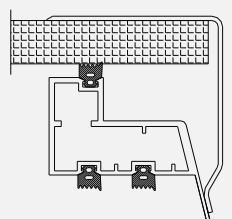
Nº	Types	View	Lt [%]	G value [%]	U value [W/m ² .K]	Si [db]
1	1 PMMA opal		83	73	5,4	17
2	2 PMMA clear/opal		69	53	2,7	24
3	3 PMMA cl/cl/opal		63	45	1,7	28
4	4 PMMA		55	41	1,3	31
5	Solid PC/ 2PMMA		73	61	2,7	25



6	Solid PC/ 3PMMA		67	52	1,8	28
7	2PMMA + PC 16mm		40	39	1,3	24

2.2.2. Cellular polycarbonate upper parts:

Application 3

Nº	Types	View	Lt [%]	G value [%]	U value [W/m ² .K]	Si [db]
1	PC 10mm		61	61	2,5	17
2	PC 16mm		54	55	2	18
3	PC 20mm		47	47	1,67	20



4	PC 25mm		40	42	1,3	22
5	PC 32mm		38	41	1,1	24
6	PC 16mm, NG		64	50	1,31	21
7	PC 25mm, NG		67	42	1,1	18

**Note: 1. Position 6 and 7 are with aerogel inside.
2. The gasket kit is option of solution type "forced".**

2.2.3. Package solutions:

Application 4

Nº	Types	View	Lt [%]	G value [%]	U value [W/m ² .K]	Si [db]
1	PC 10+4mm		52	52	2,2 - 2,0	21



2	PC 10+6mm		50	51	1,9 - 1,7	22
3	PC 16+4mm		44	44	1,4 - 1,0	27
4	PC 16+6mm		42	43	1,2 - 1,0	28
5	PC 16+10mm		38	40	1,1 - 0,9	32
6	PMMA / PMMA		69	53	2,7	24
7	PC / PMMA		73	61	2,7	25
8	Glass package		77	63	1,7	37
9	DK 40÷80mm		0	0	1,2 - 0,65	24

**Note: 1. Upper part can be OF/RO or OF/BG option.
2. The gasket kit is option of solution type "forced".**



2.3. Additional elements

- Gas springs
- Handle
- Locking device
- Hinges

III. Ventilation function and roof access

- Motor 230V, AC. Opening height - 300/500mm



Note: For more information, please contact your consultant.