



## HM series

### I. Description

HM series is a system of solution for continuous extractions of heat emissions from building interior. Appropriate solution for industrial buildings having technological cycle with high residual heat. It is economically effective and appropriate. HM series have ability to work in all seasons makes it in an extremely effective tool for natural ventilation.



#### 1.1. Integrity in

- All types of roof packages and constructions
- Roof lights



#### 1.2. Function

- Industrial ventilation
- Natural day light
- Smoke and heat ventilation

#### 1.3. Correspondence

HM series is in accordance with the next Directives and Standards:



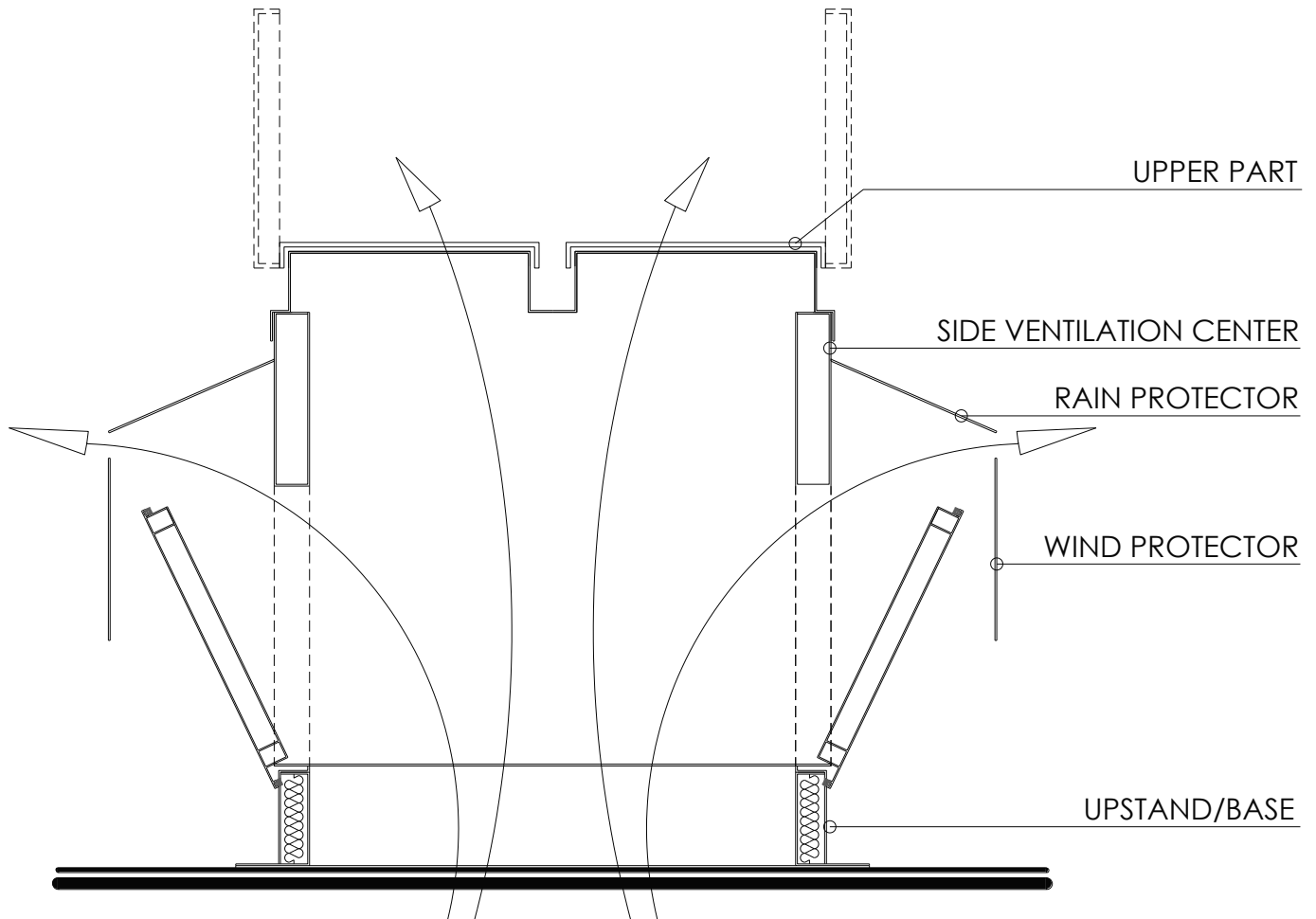
General standarts	
1	EN 12 101-2
2	ISO 9001: 2008
Additional test and approvals	
3	EN 15 088
4	EN 13501
5	EN 10142/90





## II. Components and types

### 2.1. Glos HM A



- Upper part
  - Fixed
  - Openable for RWA or RWA/DV
  - Possible integration of Glos FF, Glos SV and Nymbus RLAM
  - Thermoinsulated / Not thermoinsulated
- Side ventilation elements
  - Side opening

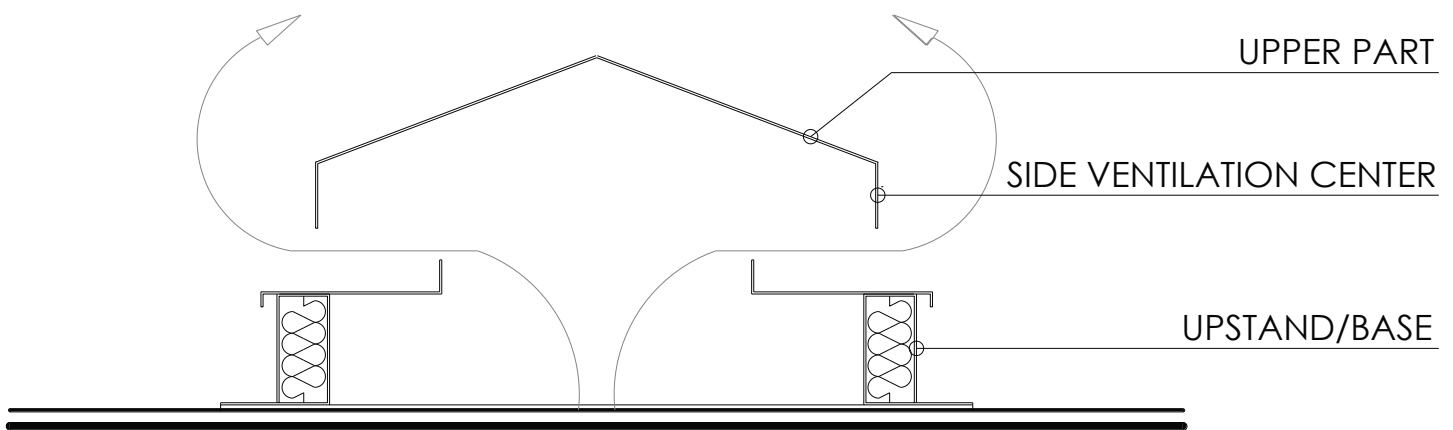


- Opening down side
- Opening upper side
- Lamella – openable or fix

- Base

- Adaptation of ventilation center to construction
- Integration in all types of roof packages

## 2.2. Glos HM B



- Upper part

- Fixed

- Side ventilation elements

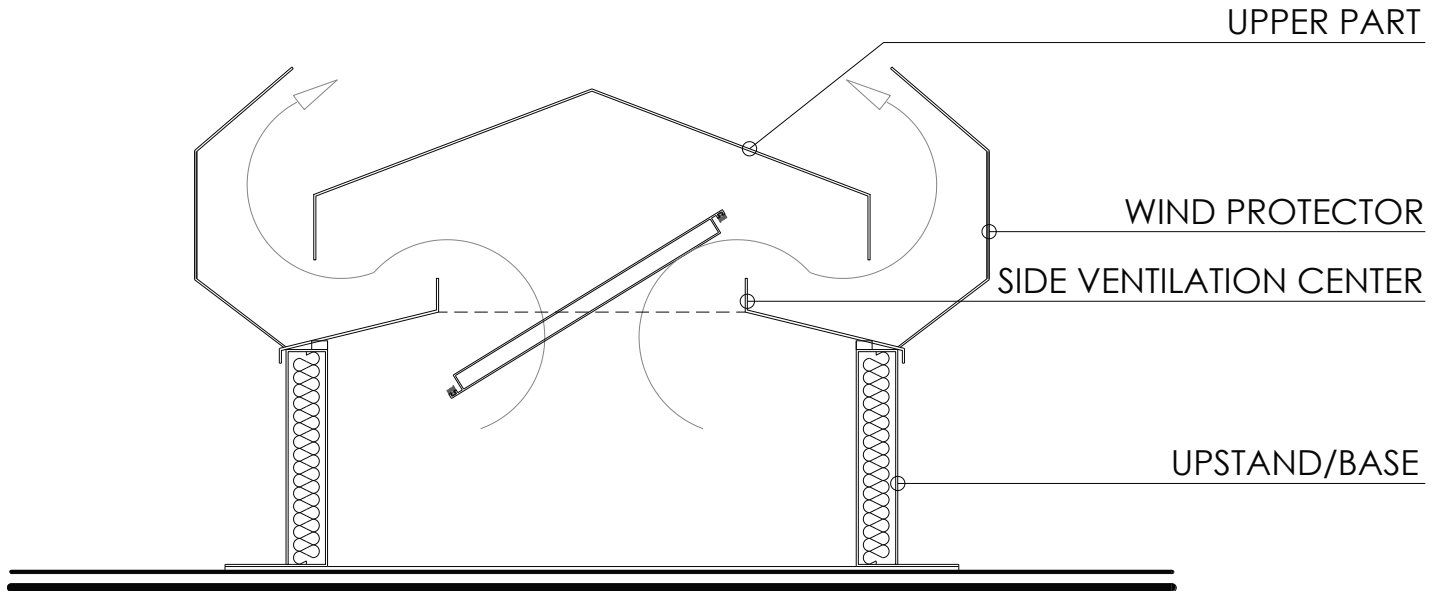
- Fixed

- Base

- Adaptation of ventilation center to construction
- Integration in all types of roof packages



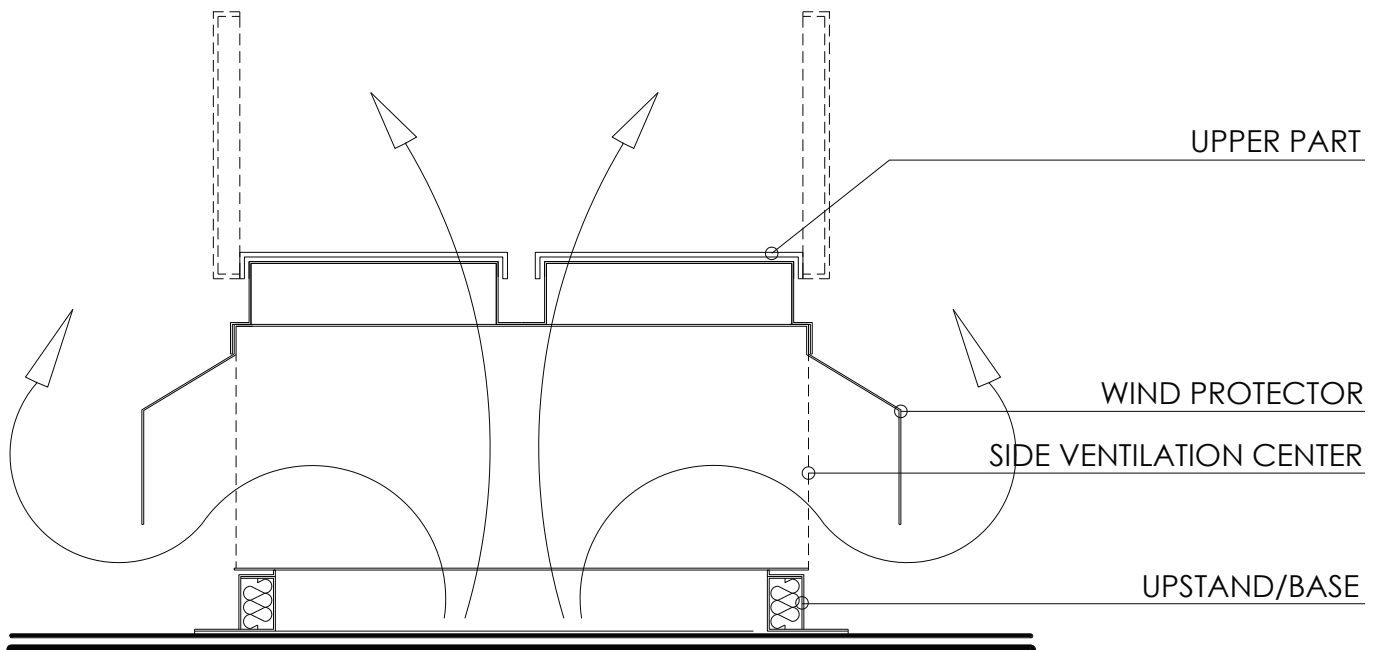
### 2.3. Glos HM C



- Upper part
  - Fixed
  - Thermoinsulated / Not thermoinsulated
  
- Side ventilation elements
  - Openable for RWA or RWA/DV
  - Possible integration of Glos FF, Glos SV and Nymbus RLAM
  - Thermoinsulated / Not thermoinsulated
  
- Base
  - Adaptation of ventilation center to construction
  - Integration in all types of roof packages



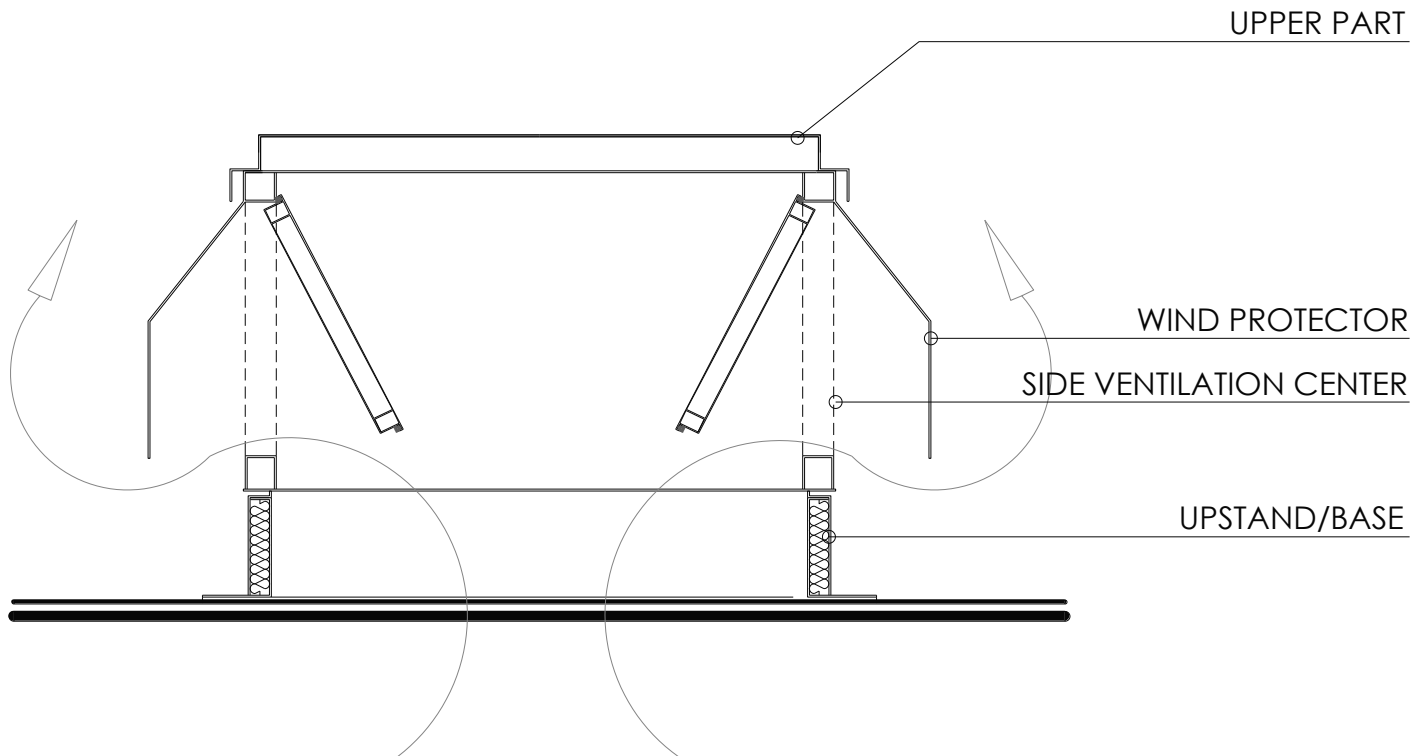
## 2.4. Glos HM D



- Upper part
  - Fixed
  - Openable for RWA or RWA/DV
  - Possible integration of Glos FF, Glos SV and Nymbus RLAM
  - Thermoinsulated / Not thermoinsulated
  
- Side ventilation elements
  - Side opening
  
- Base
  - Adaptation of ventilation center to construction
  - Integration in all types of roof packages
  - Ventilating boards
  - Thermoinsulation/Not thermoinsulation



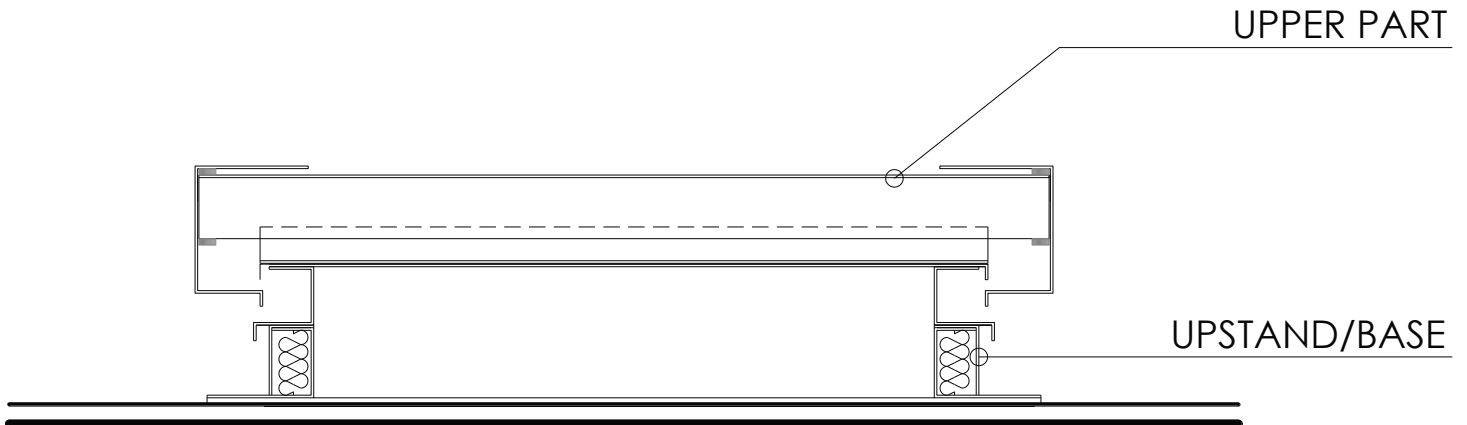
## 2.5. Glos HM E



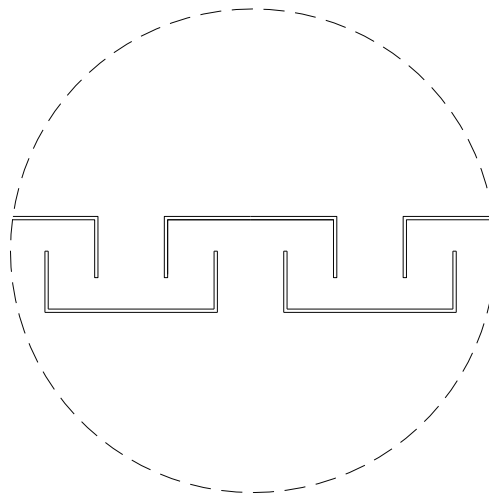
- Upper part
  - Fixed
  - Thermoinsulated / Not thermoinsulated
  
- Side ventilation elements
  - Openable for RWA or RWA/DV
  - Possible integration of Glos FF, Glos SV and Nymbus RLAM
  - Thermoinsulated / Not thermoinsulated
  
- Base
  - Adaptation of ventilation center to construction
  - Integration in all types of roof packages



## 2.6. Glos HM F

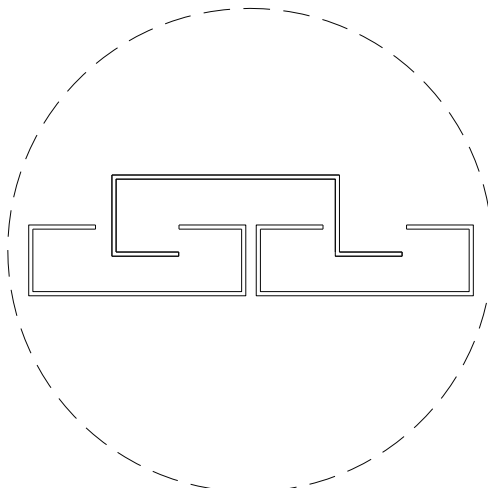


- Upper part
- permanently open – fixed

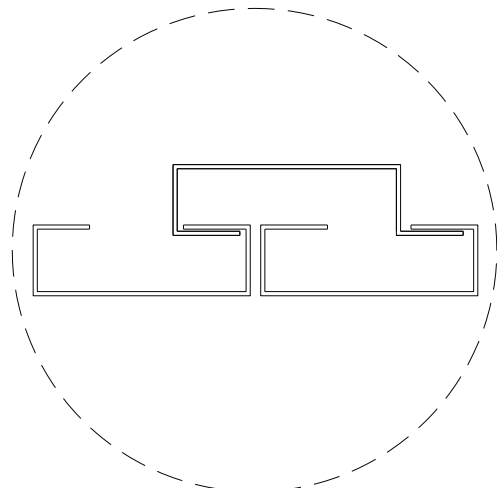


- open/close function

OPEN FUNCTION



CLOSE FUNCTION





**Low profile - up to 600mm**

**High profile – more than 600mm**

- Base
  - Adaptation of ventilation center to construction
  - Integration in all types of roof packages

**Note: For more information, please contact your consultant.**