



GLOS DL V G

Glass facade system

I. Description

- facade lighting
- natural smoke and heat ventilator
- daily ventilation
- fire corridors
- curtain walls

1.1. Integrity in

All types of facade constructions

1.2. Function

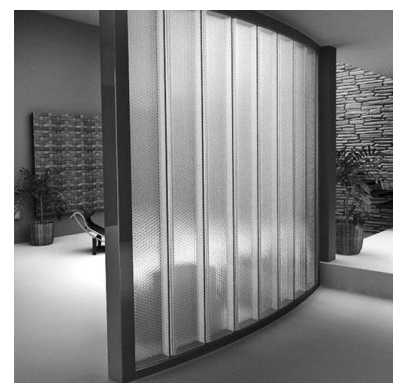
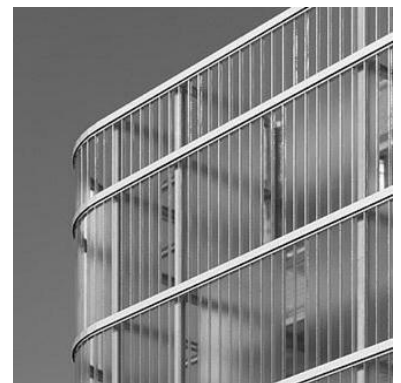
- solar control
- thermal insulation
- fire protection
- noise control
- safety/security
- self-cleaning
- decoration
- special application

1.3. Applications

- Low, mid and hi-rise buildings
- Commercial and residential buildings
- Medical/ hospital
- Educational/ schools
- Office
- Retail

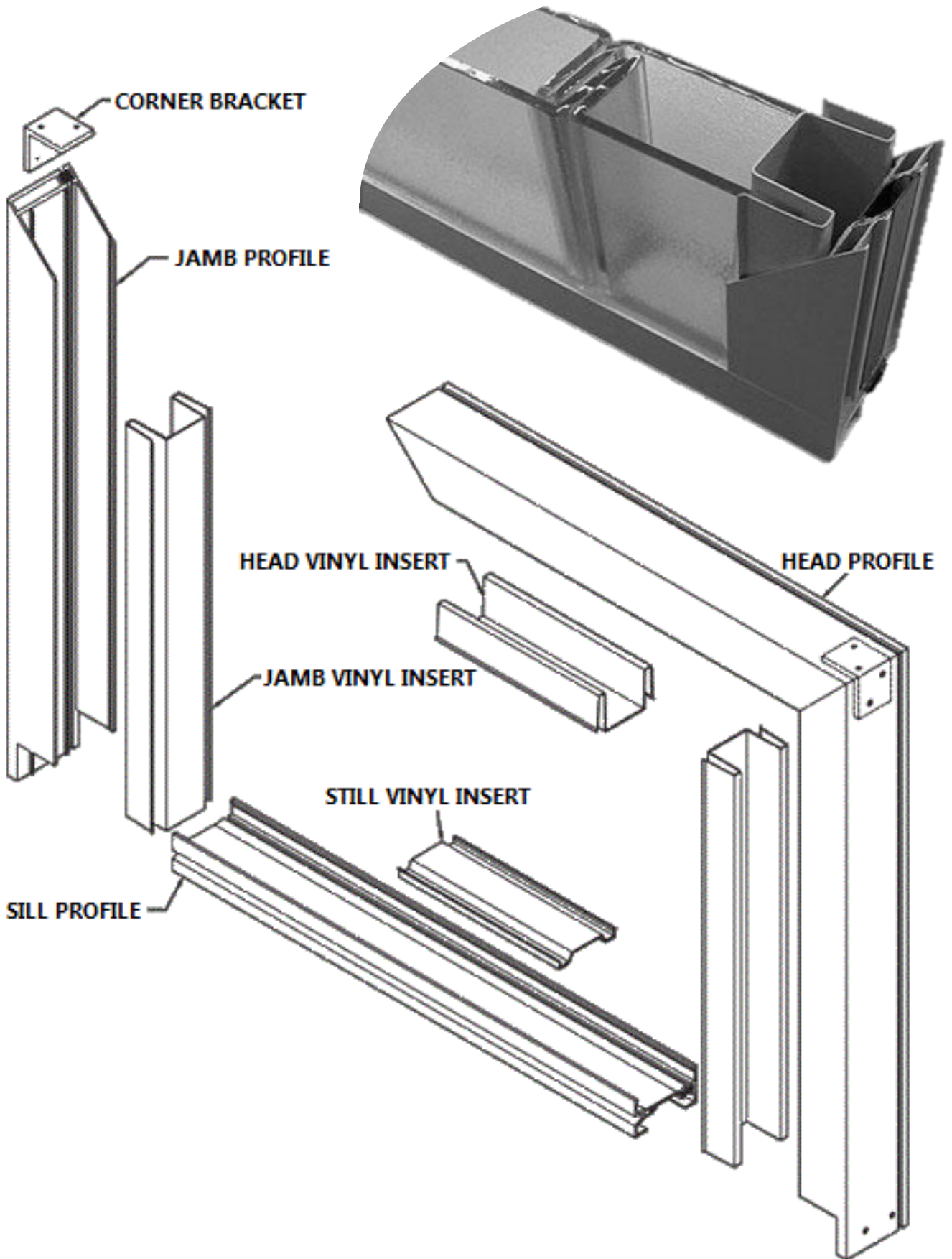
II. Benefits

- Controls solar radiation, reflections, transmittance and absorbance
- Reducing the need for air conditioning
- Thermal insulation (Al profile with thermal break)
- Fire protection
- Self-Cleaning
- Noise reduction
- Decoration



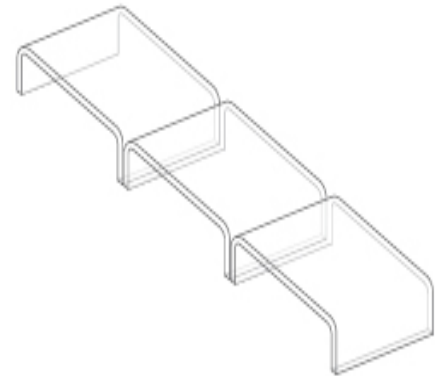
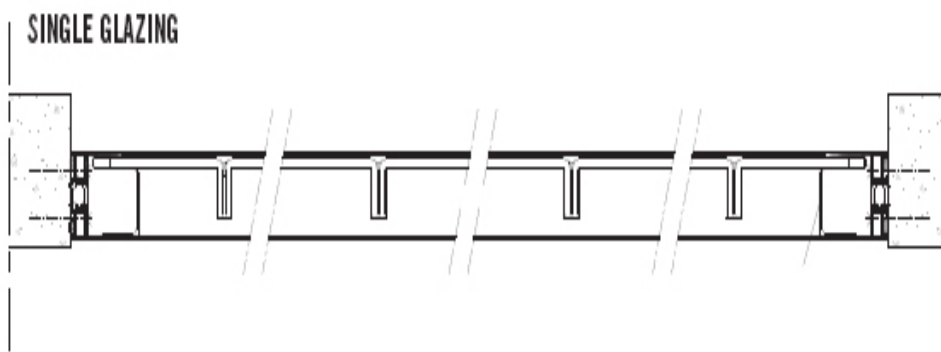
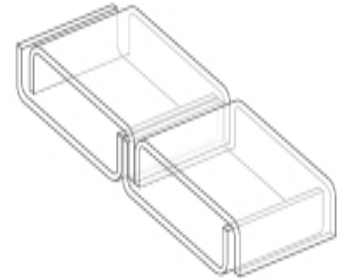
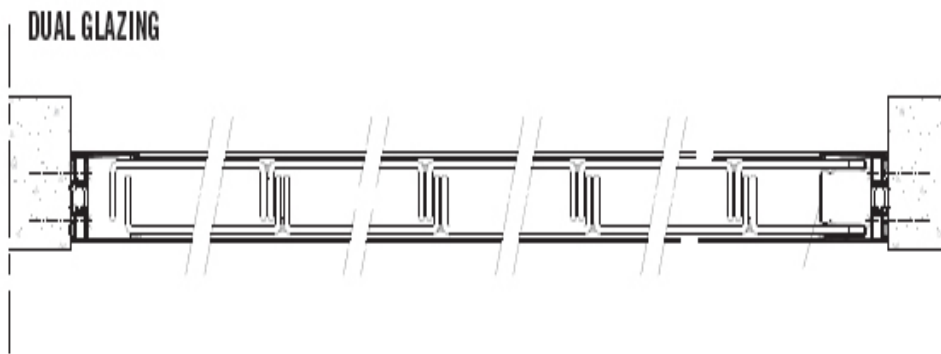


III. System components





IV. Type of installation



V. Type of glass

5.1. Insulating Glass Units

Two or more panels of glass bonded to a perimeter spacer material with a hermetically sealed airspace

5.2. Thermal insulation

Two or more layers of glass bonded together

5.3. Fire protection

At least four times stronger than annealed glass

Note: For more information, please contact your consultant.