



Glos DL TR

Pyramid sky light



I. Description

- A system of solutions for natural roof daylight
- Pyramid sky light based on steel, construction, aluminum profiles and light transmitting element
- Daily ventilation
- Possible integration of ventilation elements and fans in it
- Natural smoke and heat ventilation systems



1.1. Integrity in

- All types of roof packages and constructions with a variety of additional elements



1.2. Function

- Natural day light
- Natural ventilation
- Smoke and heat ventilation



1.3. Correspondence

Glos DL TR is in accordance with the following Directives and Standards.



General standarts		
1	EN 13501	Bs1d0
2	EN 15088	
3	EN 10142/ 90	
4	ISO 9001: 2008	

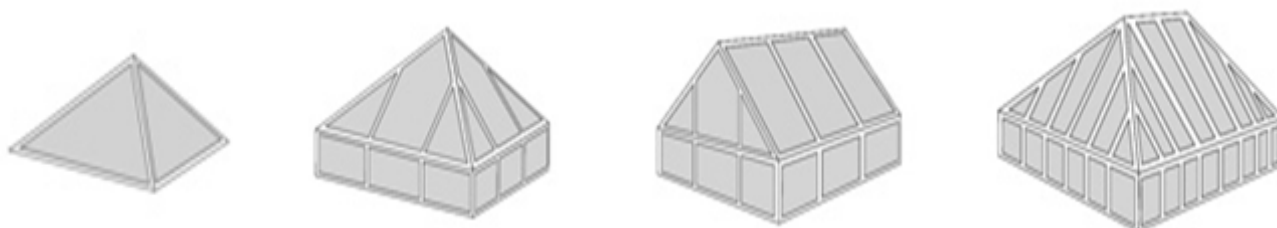


II. Components

Glos DL TR can be produced by different profile systems.

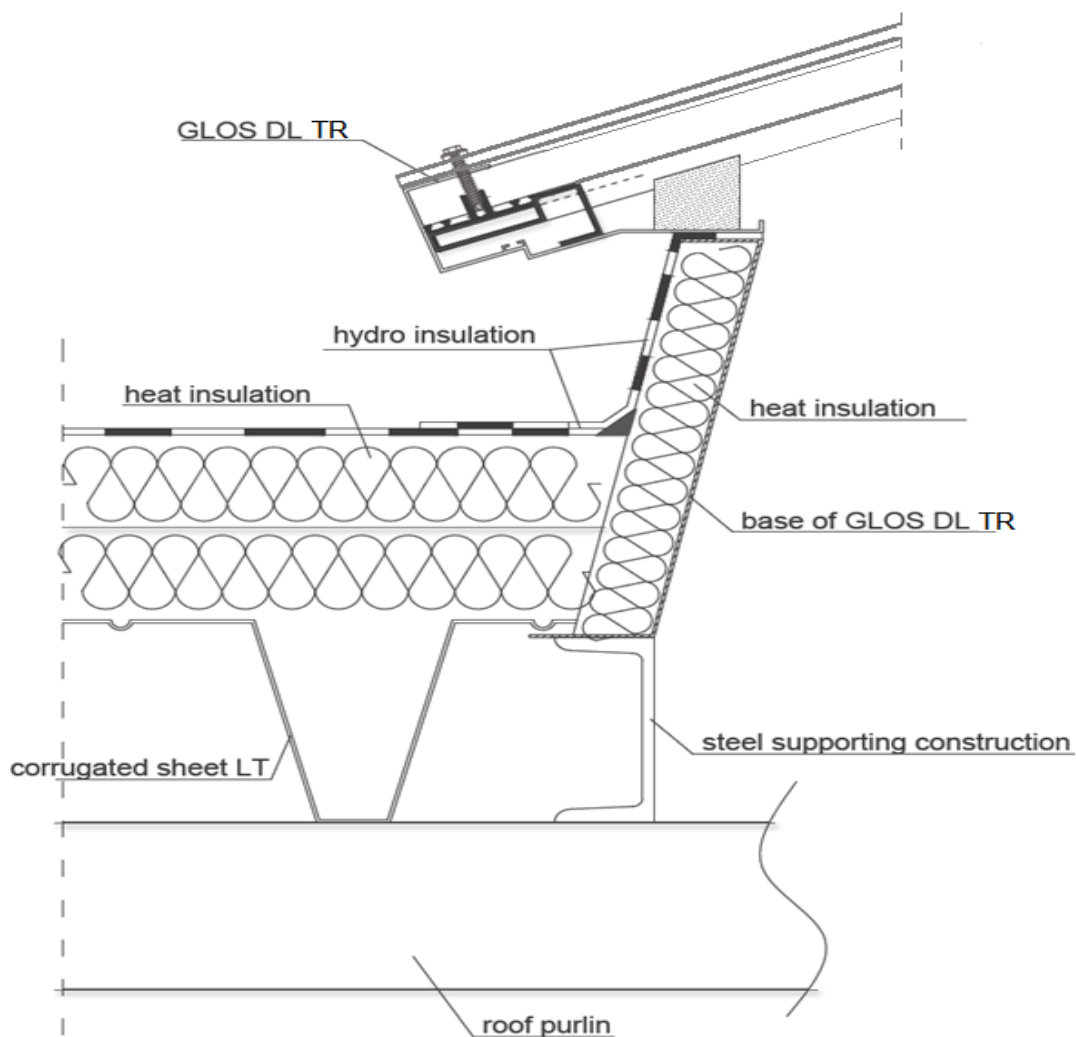
Sizes:

- Width - max 6000 mm
- Length - without limits



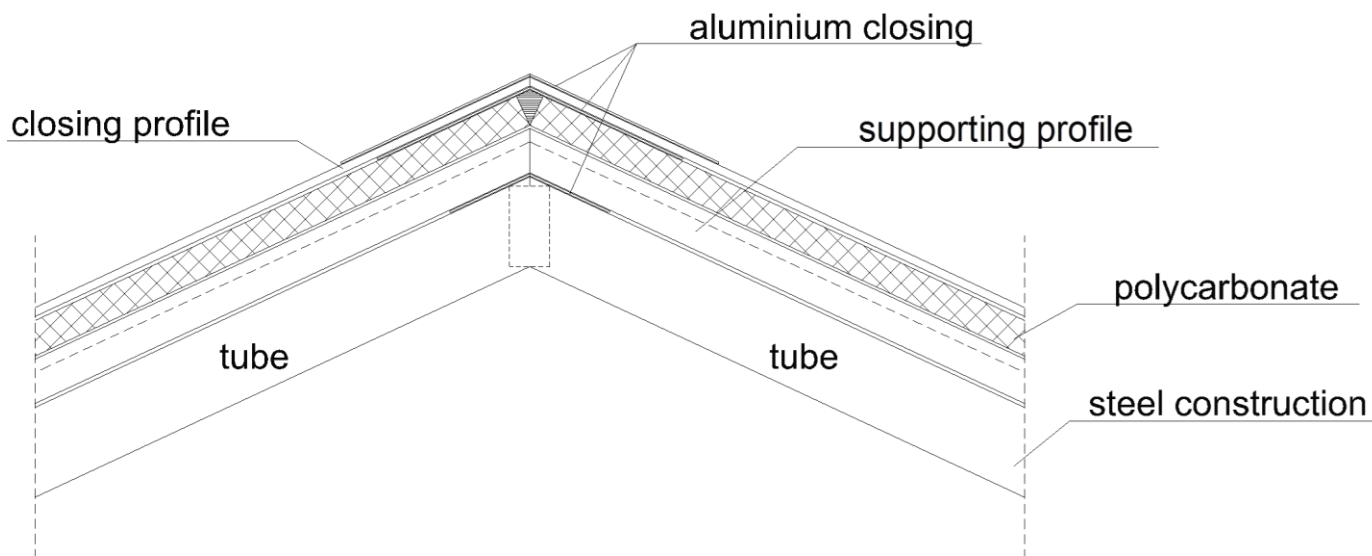
2.1. Sections and details

Application 1

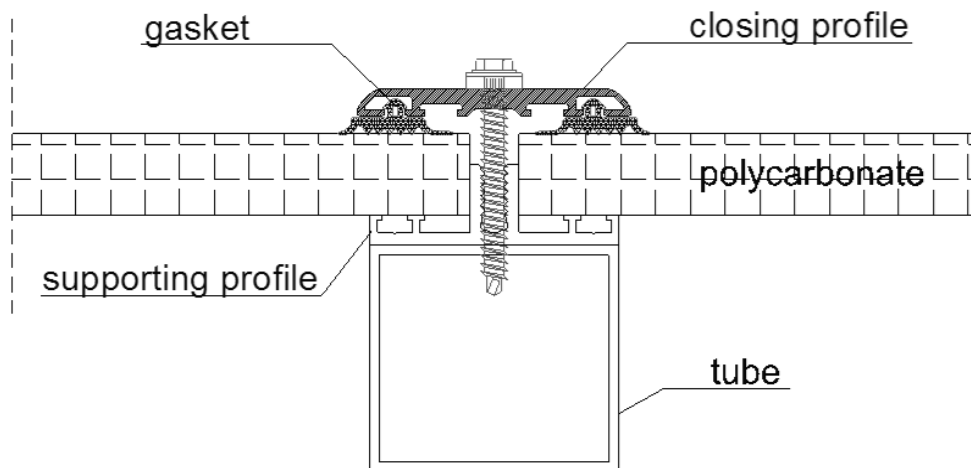
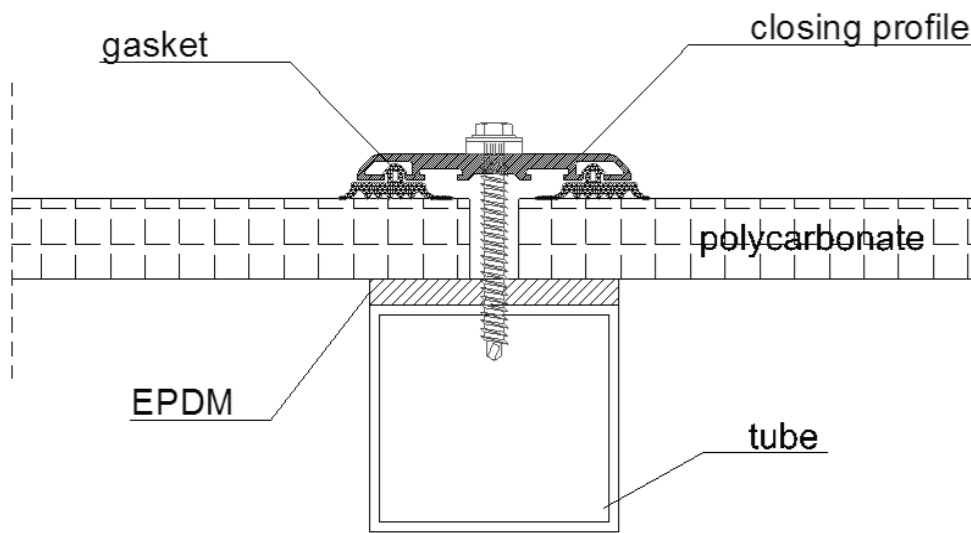




Application 2



Details





2.2. Elements

Profiles				
1				
Additional elements				
2				

III. Filling types

3.1. Cellular polycarbonat – UV protected

Application 3

Nº	Solution	View	Lt [%]	G value [%]	U value [W/m ² .K]	Si [db]
1	PC 10mm		61	61	2,5	17
2	PC 16mm		54	55	2	18



3	PC 20mm		47	47	1,67	20
4	PC 25mm		40	42	1,3	18
5	PC 32mm		38	41	1,1	18
6	PC 40mm		35	38	1	19

3.2. Package solutions

Application 4

Nº	Solution	View	Lt [%]	G value [%]	U value [W/m ² .K]	Si [db]
1	PC 10+4mm		52	52	2,2 - 2,0	21
2	PC 10+6mm		50	51	1,9 - 1,7	22
3	PC 16+4mm		44	44	1,4 - 1,0	27
4	PC 16+6mm		42	43	1,2 - 1,0	28
5	PC 10mm + PMMA		73	61	2,7	24
6	PC 16mm + PMMA		70	58	2,9	25



Note: 1. Available package solution with reinforced inner layer for high placement

2. Spacers in glass packages may have different sizes 20x10mm, 20x20mm, 30x20mm

3. The parameters of the packages are subject to additional specification.

3.3. Special solutions

- Polycarbonate multiwall panels filed with aerogel.
- Aerogel -Translucent Granules that allow light to pass while serving as a highly effective thermal and acoustical insulation

3.4. Function upgrade elements

- With flaps
- With lamella fan
- With electric fan
- With louver
- With duct
- Antibird set
- Mosquito set
- Solar protection

IV. Technical parameters for Glos DL TR

Snow load	SL 75 –SL 200
Wind load	WL 50 – WL 100
Resistance to heat classification	B - s1, d0; -30 to +100 C°

Note: For more information, please contact your consultant.