

Supercoil

The conventional smoke apron for high demands and large dimensions

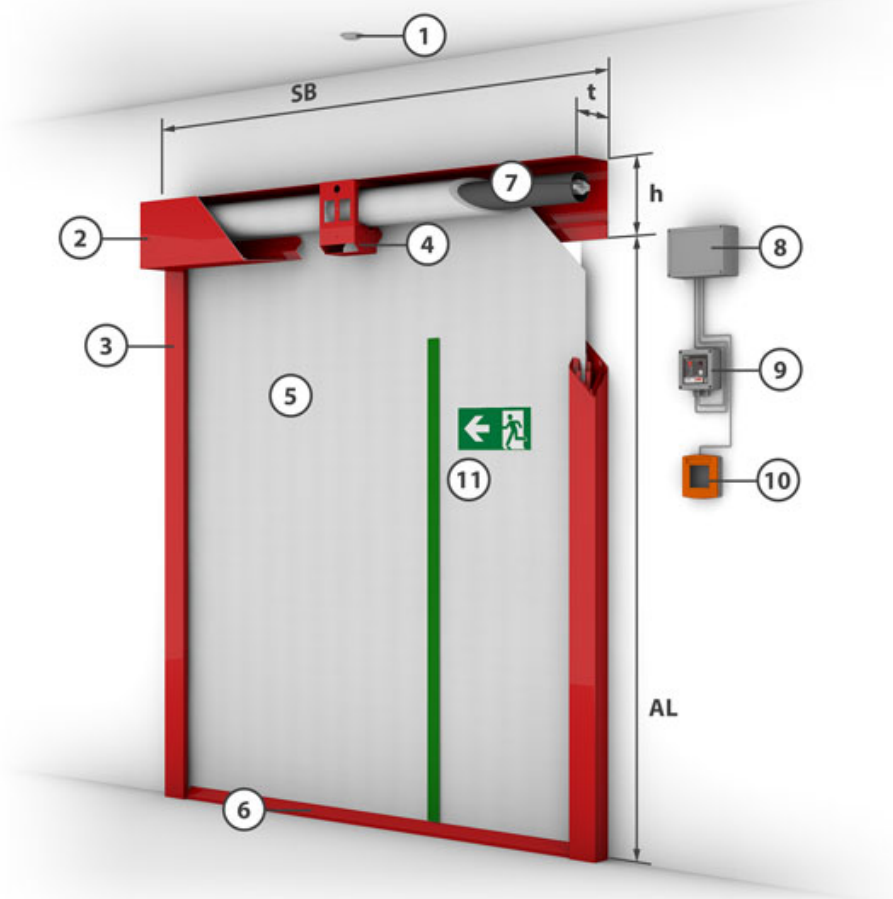
Product description

Supercoil is outstanding for its flexibility in the implementation of made-to-measure solutions. The smoke apron consists of one web part up to 50 m in width and features a drop length of 9.5 m. It is designed for high time classes at temperature loads up to 600 OC (D) and 1,100°C (ETK curve - DH). If guide rails are used, the smoke apron ensures that zero smoke escapes over the entire width of the apron. Thanks to the 'Gravigen' drive motor the apron closes without external energy. Supercoil is also suitable as a floor-closing and partition-forming smoke apron and can be equipped with an opening that allows persons to pass. Furthermore, the clever design allows for a combination with the passable Stripecoil smoke apron.

Type	Textile smoke apron	Closing cycles	1,000 cycles according to DIN EN 12101-1
Proof of usability	CE according to DIN EN 12101-1 • UL 1784	Classification	DH 120 • D 60 • Classification according to DIN EN 12101-1
Fabric	Protex 600.1 A2 • Protex 1100.1 A2	Triggering	Approved hold-open system • To be provided on site
Verification	Z - 56. 429 - 916 • 0761-CPD-0060		
Closing direction	from top to bottom		

Constructive system design (With guide rail)

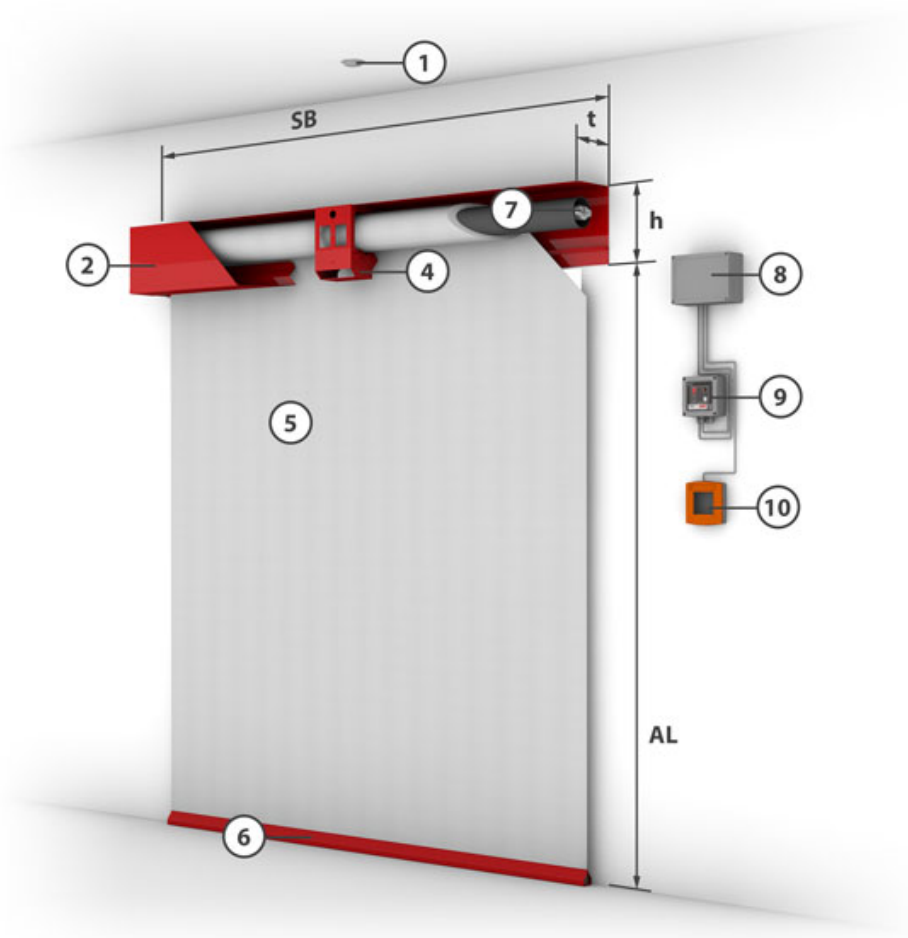
Fabric	System width	Drop length	t (mm)	h (mm)
Protex 600.1 A2 / 1100.1 A2	≥ 0.8 m - ≤ 1.6	≤ 3.5 m	190	250
Protex 600.1 A2 / 1100.1 A2	> 1.6 m - ≤ 30 m	≤ 3.5 m	190	200
Protex 600.1 A2 / 1100.1 A2	≥ 1,2 m ≤ 30 m	> 3.5 m - ≤ 6 m	190	250
Protex 1100.1 A2	≥ 2.0 m ≤ 20 m	> 6 m - ≤ 9 m	235	290



- 1** = Smoke detector **2** = Casing **3** = side guides **4** = Fixing bracket **5** = Fabric **6** = Closing element **7** = Tubular motor
8 = Control module **9** = Control with operating unit **10** = Manual release **11** = Wicket door (optional)

Constructive system design (Without guide rail)

Fabric	System width	Drop length	t (mm)	h (mm)
Protex 600.1 A2 / 1100.1 A2	≥ 0.8 m - ≤ 1.6	≤ 3.5 m	190	250
Protex 600.1 A2 / 1100.1 A2	> 1.6 m - ≤ 50 m	≤ 3.5 m	190	200
Protex 600.1 A2 / 1100.1 A2	≥ 1,2 m ≤ 50 m	> 3.5 m - ≤ 6 m	190	250
Protex 1100.1 A2	≥ 2.0 m - ≤ 50 m	> 6 m - ≤ 9 m	235	290

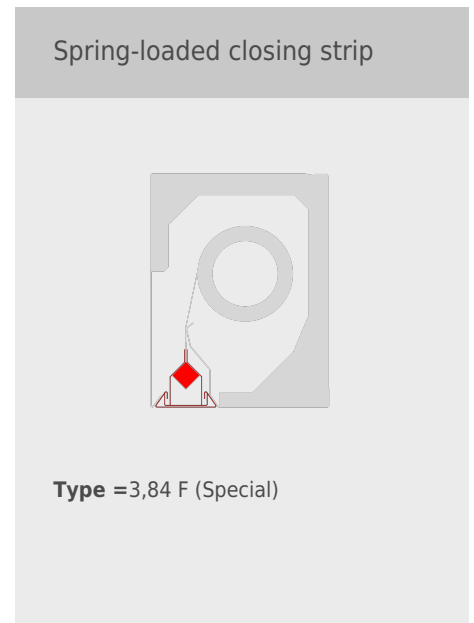
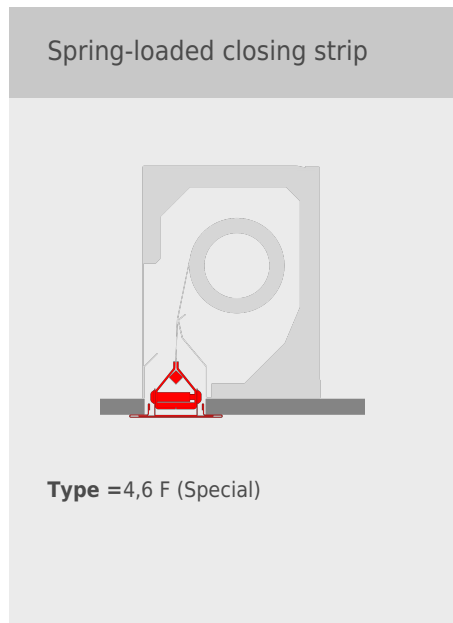
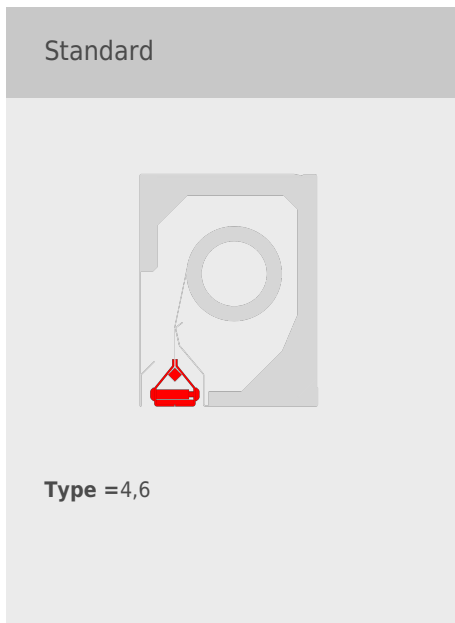


- 1** = Smoke detector **2** = Casing **4** = Fixing bracket **5** = Fabric **6** = Closing element **7** = Tubular motor **8** = Control module
9 = Control with operating unit **10** = Manual release

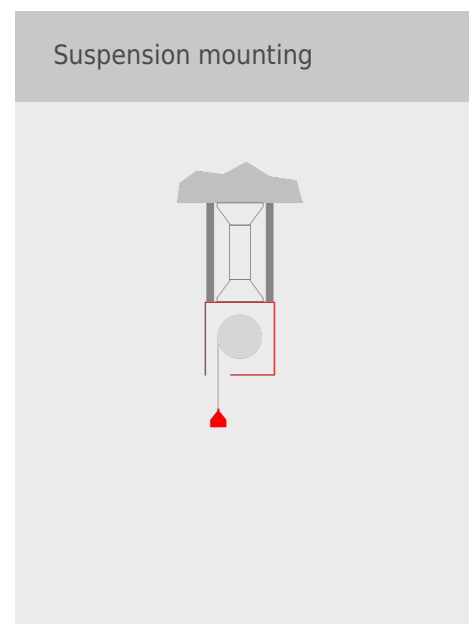
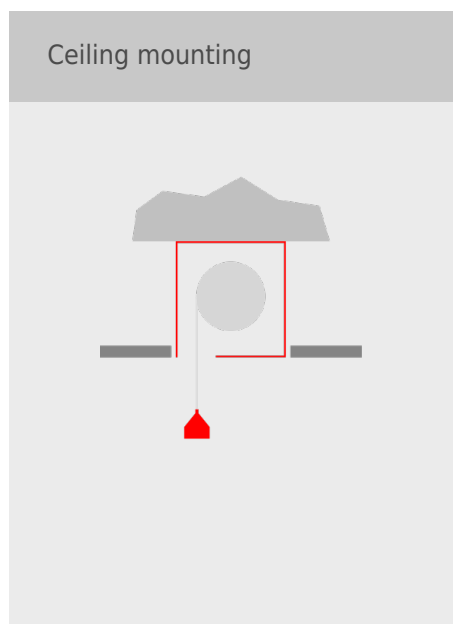
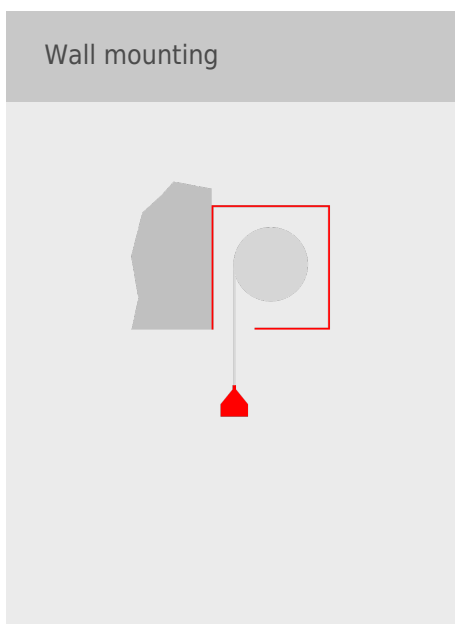
Closing strips

standard

special

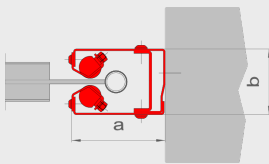


Casing installation options



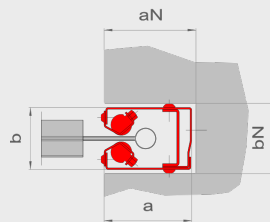
Guide rails

Type 105 E (embrasure)



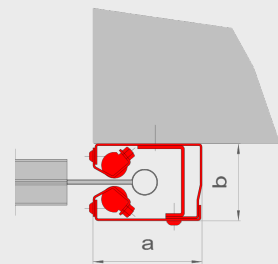
a = 105 mm **b** = 74 mm
AL = ≤ 6 m **A** = ≤ 50 m²

Type 105 E (niche)



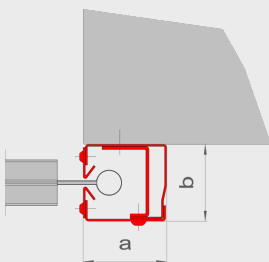
a = 105 mm **b** = 74 mm
AL = ≤ 6 m **A** = ≤ 50 m²

Type 105 E(Wall)



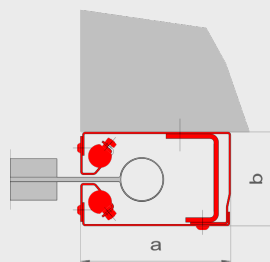
a = 105 mm **b** = 74 mm
AL = ≤ 6 m **A** = ≤ 50 m²

Type 80 E



a = 80 mm **b** = 74 mm
AL = ≤ 3,5 m **A** = ≤ 18 m²

Type 160 E



a = 160 mm **b** = 100 mm
AL = ≤ 9 m **A** = ≤ 120 m²