

Moducoil

The standard smoke apron in a modular design

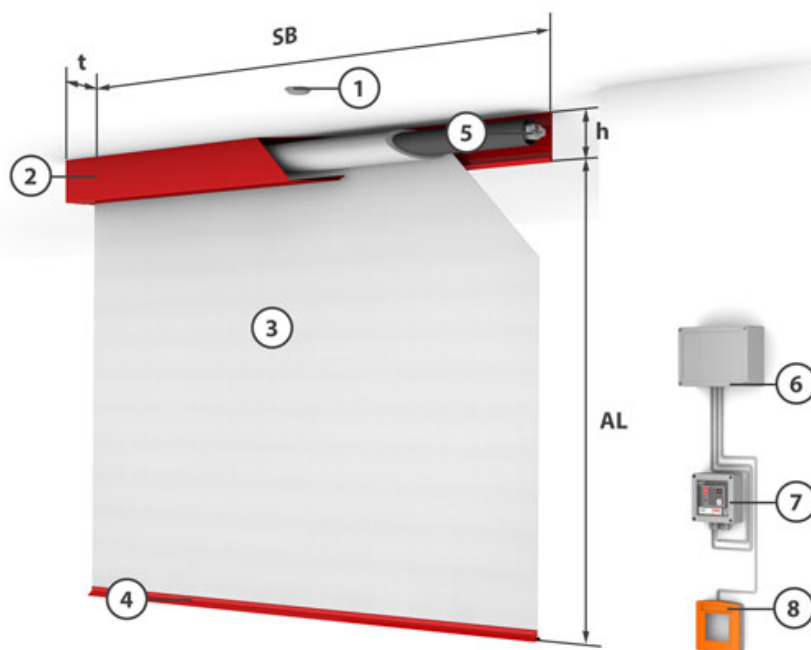
Product description

Prefabricated individual modules are lined up as a unit to form a complete smoke apron up to any length Standardised drop lengths up to 7 m Designed for the time class and temperature loads D = 600 °C As standard with "Gravigen" drive system i.e. closing without external energy, fire-resistant cables are not necessary Robust drive systems, suitable for a high number of cycles up to 1,000 cycles with approved locking devices Modular mounting of the winding casings on top of or next to each other Connected closing strip across all modules Also suitable (approved) for use as a floor-closing smoke apron and with lateral guide rail option.

Type	Textile smoke apron	Closing cycles	1,000 cycles according to DIN EN 12101-1
Proof of usability	UL 1784	Classification	D 120 • DH 30 • Classification according to DIN EN 12101-1
Verification	- Z - 56. 429 - 916 • CE according to DIN EN 12101-1	Triggering	Approved hold-open system • To be provided on site
Closing direction	from top to bottom		

Constructive system design (Single module)

System width	Drop length	t	h
≤ 5 m	≤ 4,5 m	150 mm	150 mm
≤ 5 m	> 4,5 m - ≤ 7 m	185 mm	185 mm
> 5 m - ≤ 7 m	≤ 4,5 m	185 mm	185 mm



1 = Smoke detector

2 = Casing

3 = Fabric

4 = Closing element

5 = Tubular motor

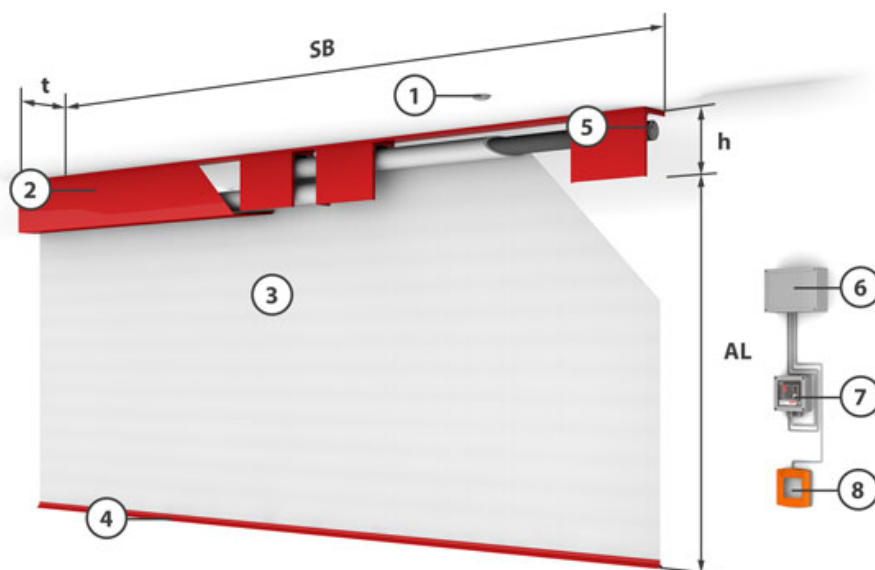
6 = Control module

7 = Control with operating unit

8 = Manual release

Constructive system design (Multiple module, above each other)

system width (SB)	drop length (AL)	t	h
> 7 m	4,5 m	160 mm	280 mm
> 7 m	4,5 m - ≤ 7 m	195 mm	350 mm



1 = Smoke detector

2 = Casing

3 = Fabric

4 = Closing element

5 = Tubular motor

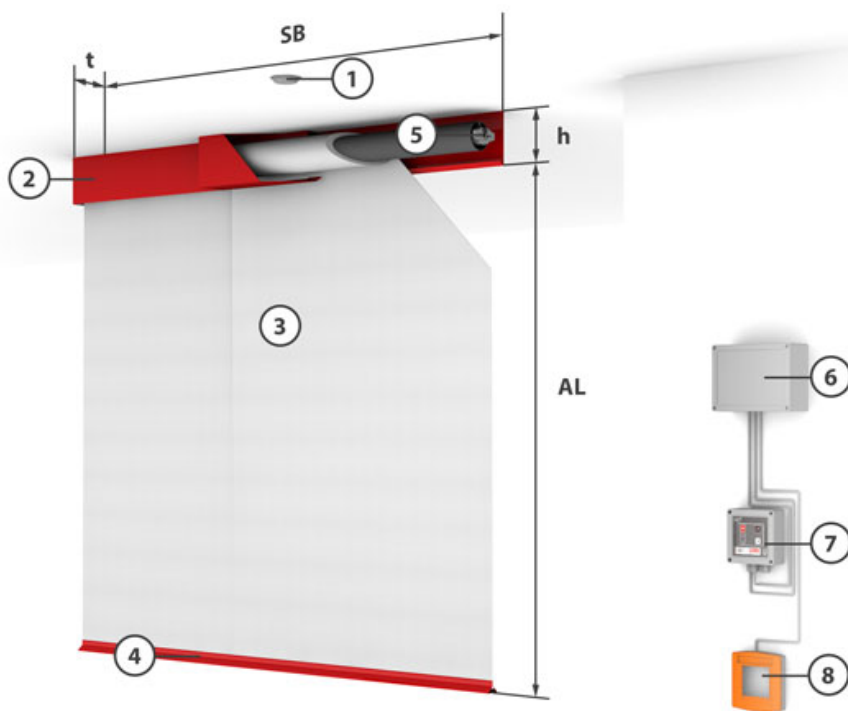
6 = Control module

7 = Control with operating unit

8 = Manual release

Constructive system design (Multiple module, next to each other)

System width	Drop length	t	h
> 7 m	4.5 m	250 mm	150 mm
> 7 m	4.5 m - ≤ 7 m	320 mm	185 mm



1 = Smoke detector

2 = Casing

3 = Fabric

4 = Closing element

5 = Tubular motor

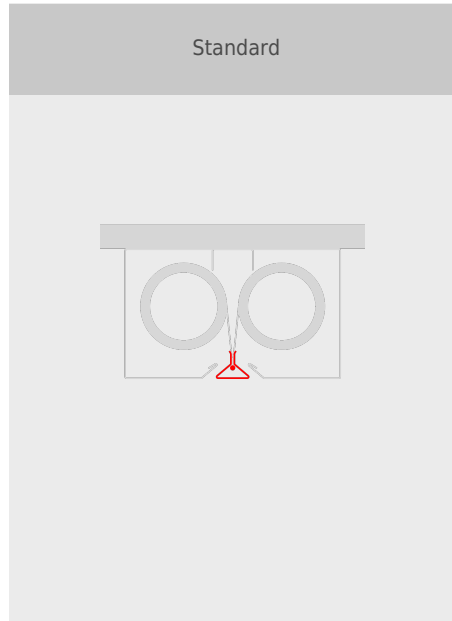
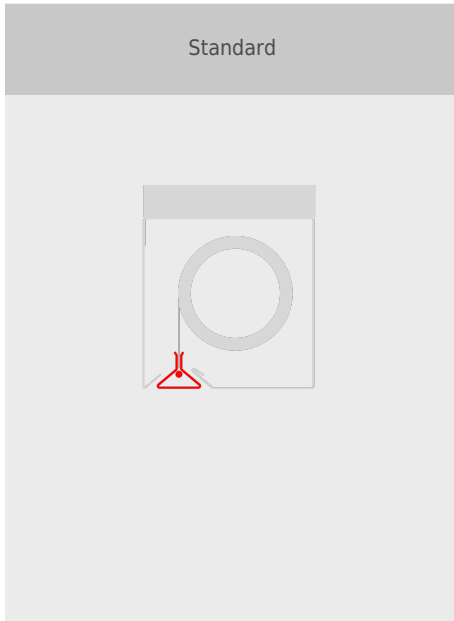
6 = Control module

7 = Control with operating unit

8 = Manual release

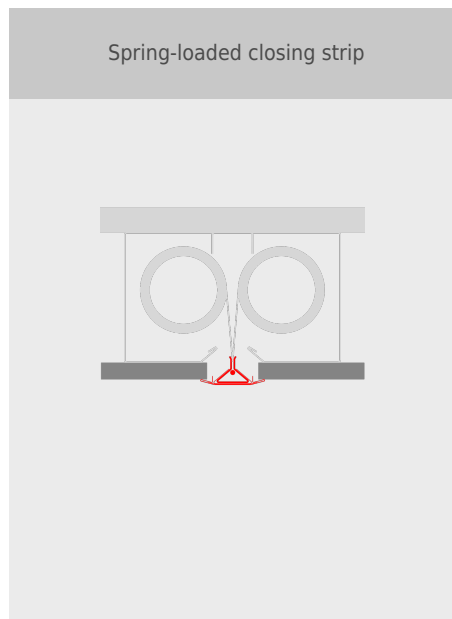
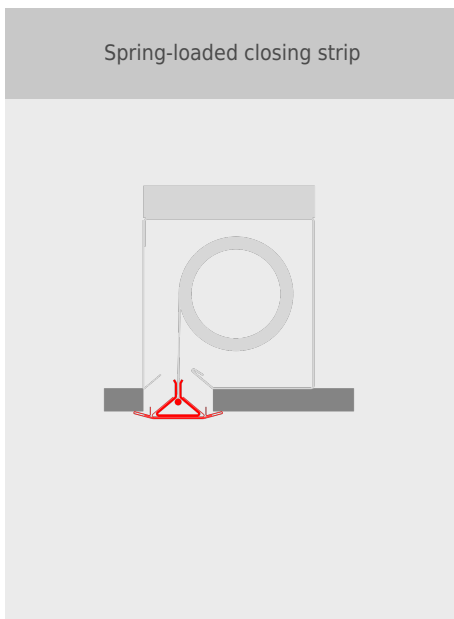
Closing strips

Standard

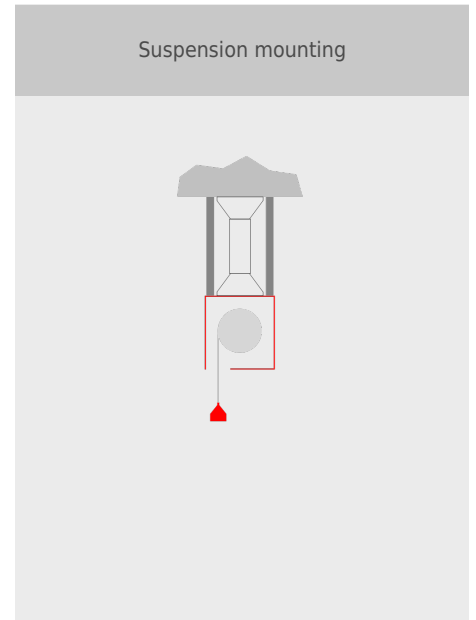
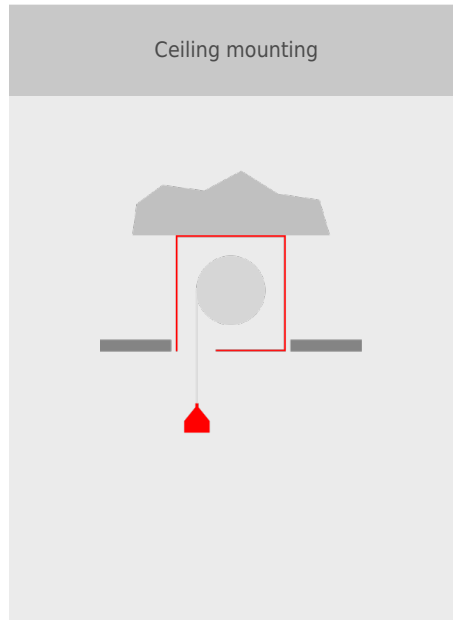
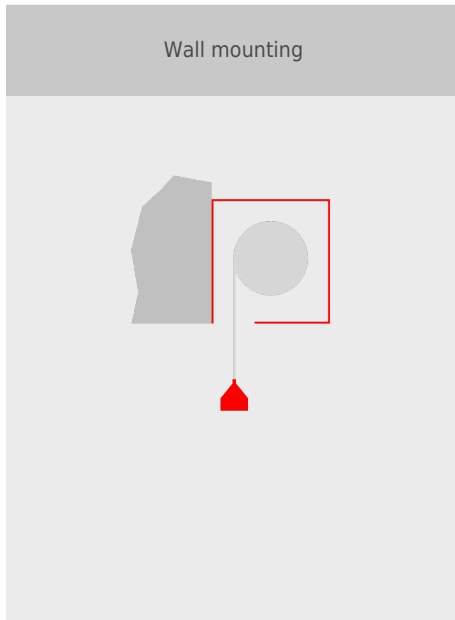


Closing strips

Special

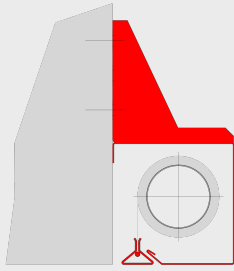


Casing installation options

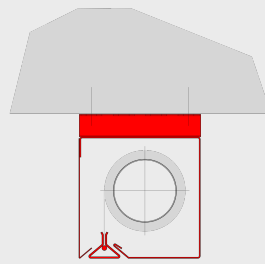


Casing

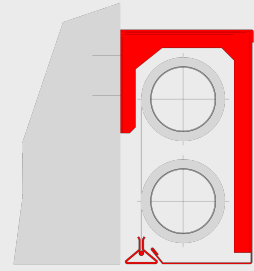
Single smoke protection (wall)



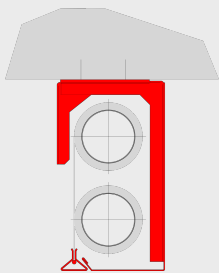
Single smoke protection (ceiling)



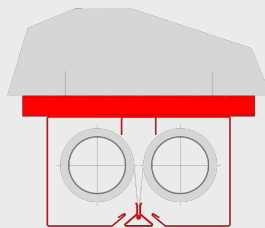
Wall/above one another



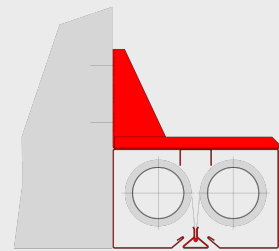
Ceiling/above one another



Ceiling/next to each other



Wall/next to each other



Guide rails

