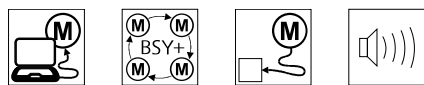


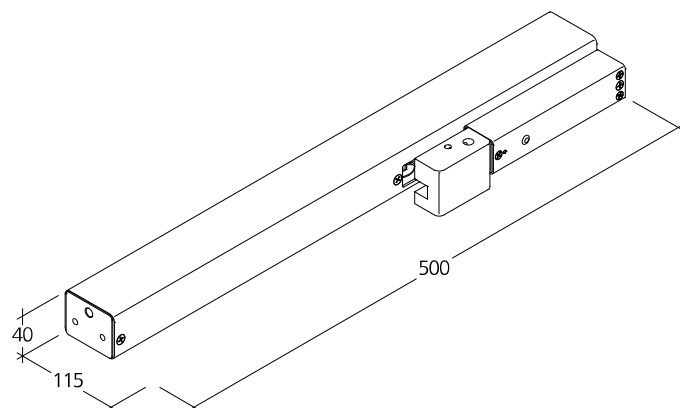
Potential drive options

You can find the explanations for the icons on the last page.



Dimensions

All specifications in mm



Technical data

Specification per drive

	SHD 54	SHD 54-BSY+ Set
Supply	24 V DC / $\pm 15\%$ / 1 A	
Duty cycle	30 % (ON: 3 min. / OFF: 7 min.)	
Force of pressure	500 N	
Tensile force	500 N	
Service life	20000 double strokes	
Stroke	450 mm	
OPEN running speed	11.8 mm/s	
OPEN running speed - SHEV	15.2 mm/s	
CLOSED running speed	11.8 mm/s	
Type of protection	IP 50	
Emission sound pressure level	LpA \leq 70 dB(A)	
Temperature range	-5 °C ... +75 °C	
Fire resistance	B300 (30 min / 300 °C)	
Housing	Aluminium	
Surface	Powder-coated	
Colour	White aluminium (~ RAL 9006)	
Connection	2.5 m silicone cable	
W x H x D	500 x 40 x 115 mm	
Weight	2.10 kg	

Design

Type	Art. No.	Stroke	Remark
SHD 54/450-BSY+ Set	23.050.80	450 mm	
SHD	26.501.00	450 mm	Variable equipment possible

SHD 54 / SHD 54-BSY+ Set



Performance features

- » For opening and closing wide side-hung vents
- » For sash sizes to 1.2 x 1 m (SHD 54) / 1.2 x 2 m (SHD 54-BSY+ Set)
- » Synchronised dual chain drive set (SHD 54-BSY+ Set)
- » With motor electronics controlled via microprocessor
- » Opening the windows to 65° in less than 30 sec.
- » Locking mechanism for the window in conjunction with window locking drive (optional)
- » Configurable locking direction on the drive
- » Programmable drive functions and different drive parameters
- » Bracket set included

Approvals / Certificates

Find out about permission details from your D+H Partner.

Article also available with the following permissions under other article numbers. Technical data may deviate.

