

## Installation sets

### Eberspächer®

Type	Art. No.	Nominal width
SDS-BS001	27.901.01	100 cm
SDS-BS002	27.901.02	120 cm
SDS-BS003	27.901.03	125 cm
SDS-BS004	27.901.04	140 cm
SDS-BS005	27.901.05	150 cm

SHEV-certified by skylight manufacturer



Adapter plates and installation material are shown in red

### Heller®

Type	Art. No.	Nominal width
SDS-BS014	27.901.14	100 cm
SDS-BS015	27.901.15	120 cm
SDS-BS016	27.901.16	150 cm

SHEV-certified by skylight manufacturer



Adapter plates and installation material are shown in red

### Lamilux® K

Type	Art. No.	Nominal width
SDS-BS025	27.901.25	120 cm
SDS-BS026	27.901.26	125 cm
SDS-BS027	27.901.27	150 cm

SHEV-certified by skylight manufacturer



Adapter plates and installation material are shown in red

### Lamilux® SK

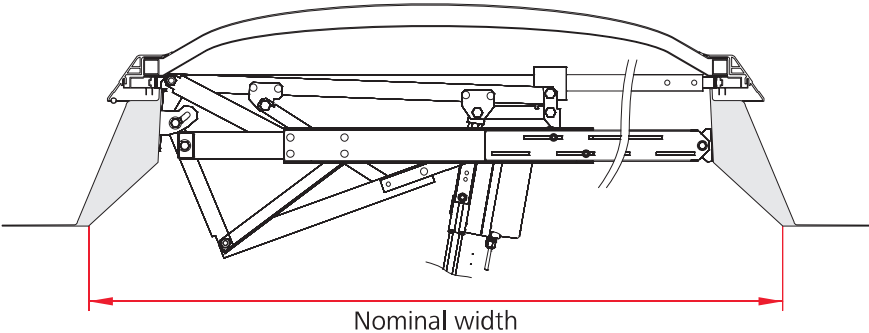
Type	Art. No.	Nominal width
SDS-BS028	27.901.28	100 cm
SDS-BS029	27.901.29	120 cm
SDS-BS030	27.901.30	125 cm
SDS-BS031	27.901.31	150 cm

SHEV-certified by skylight manufacturer



Adapter plates and installation material are shown in red

# Dimensions



# Example of application



## Example of application



## Technical data

Specification per drive unit

	SDS 2-DU-24V	SDS 2-DU-230V
Supply	24 V DC / $\pm 15\%$ / 4 A	230 V AC / +10% ... -15% / 145 VA
Force of pressure	3000 N	
Tensile force	3000 N	
Nominal locking force	2200 N	
Service life	20000 double strokes	
OPEN running speed	7.1 mm/s	
CLOSED running speed	7.1 mm/s	
Wind load class	1500 Pa ** ***	
Snow load class	500 Pa ** ***	
Type of protection	IP 64	
Temperature range	-5 °C ... +75 °C	
Fire resistance	B300 (30 min / 300 °C)	
Connection	2.5 m silicone cable	

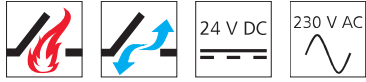
\*\* In accordance with EN 12101-2 (inspected with various manufacturers)

\*\*\* Values for dome size 2.25 m<sup>2</sup>. Change proportional for deviating dome sizes with compatible domes.

## Design

Type	Art. No.	Weight	Remark
SDS 2-DU-24V	27.900.01	18.00 kg	
SDS 2-DU-24V-Set	27.900.03	36.00 kg	2 installation sets required
SDS 2-DU-230V	27.900.02	18.00 kg	
SDS 2-DU-230V-Set	27.900.04	36.00 kg	2 installation sets required

# SDS 2



## Performance features

- » For opening and closing skylights for ventilation and smoke extraction applications
- » System consisting of drive unit and skylight-specific installation set
- » With BSY+ motor and synchronised electronics controlled via microprocessor
- » Service life inspected with at least 20000 opening cycles for ventilation and an additional 1000 opening cycles for smoke extraction in accordance with EN 12101-2
- » Optimal aerodynamic values by quick opening to 172°
- » Power transmission structurally optimised, therefore minimum strain on ventilator frame and hinges
- » High type of protection for drive unit; can therefore also be used under difficult ambient conditions
- » Quick installation and easy handling thanks to modules pre-installed at the factory
- » Installation sets available for many skylights

## Approvals / Certificates

Find out about permission details from your D+H Partner.

