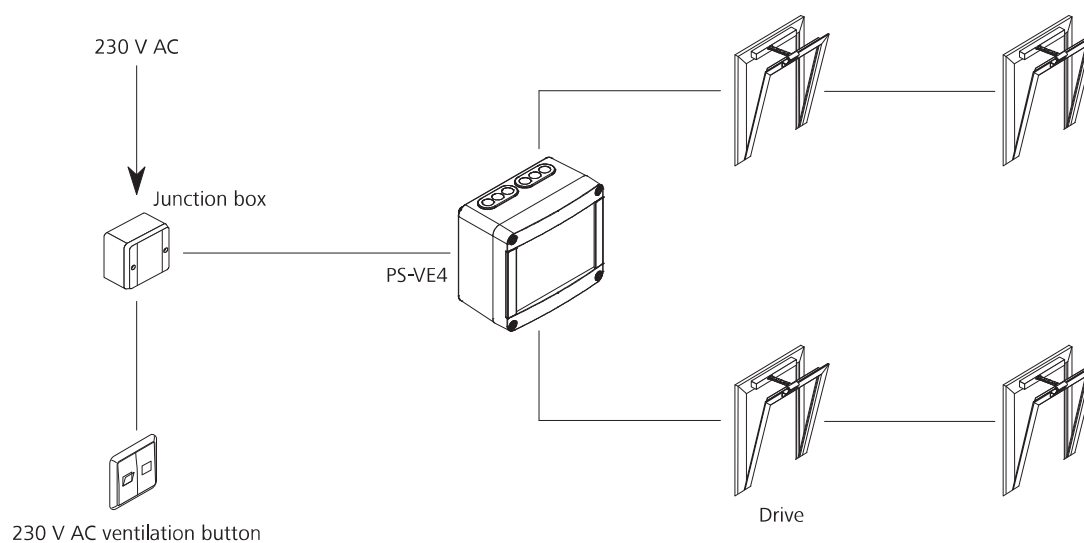


## Example of application



## Technical data

	PS-VE4
Supply	230 V AC / 50 Hz / 147 VA
Output	24 V DC / 4 A
Mode of operation	Short-time duty 20 % duty cycle
Type of protection	IP 50
Temperature range	0 °C ... +60 °C
Housing	Plastic
Colour	Light grey (~ RAL 7035)
W x H x D	172 x 151 x 95 mm
Weight	2.30 kg

## Design

Type	Art. No.
PS-VE4	30.242.20

# PS-VE4



## Performance features

- » External compact power supply unit, 230 V AC
- » For controlling 24 V DC drives
- » For controlling 24 V DC BSY+ drives
- » BSY+ bus signals can be looped through
- » Up to 4 A total drive current
- » Activation, e.g. using 230 V AC ventilation button
- » Surface-mounted design

## Accessories

Operation elements



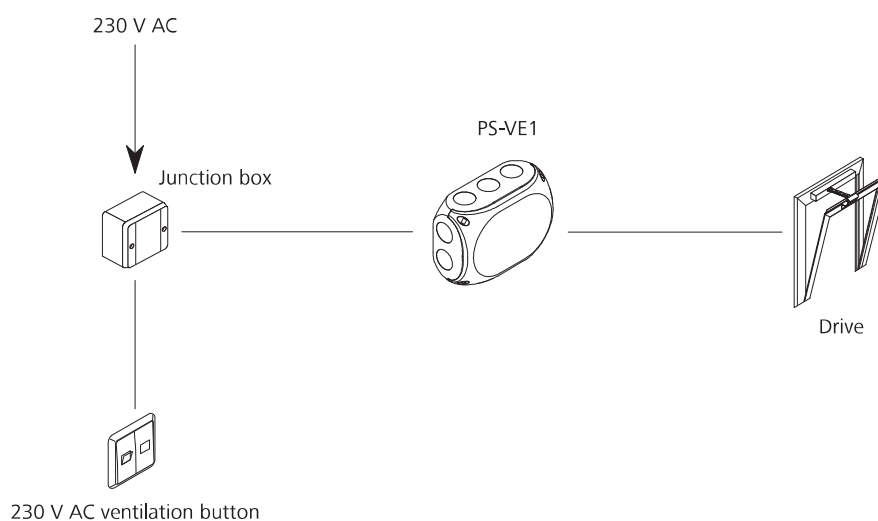
starting on page 152

Weather sensors



starting on page 146

## Example of application



## Technical data

	PS-VE1
Supply	230 V AC / 50 Hz / 36 VA
Output	24 V DC / 1 A
Mode of operation	Short-time duty 20 % duty cycle
Type of protection	IP 66
Temperature range	0 °C ... +60 °C
Housing	Polycarbonate
Colour	Light grey (~ RAL 7035)
W x H x D	130 x 180 x 77 mm
Weight	0.80 kg

## Design

Type	Art. No.
PS-VE1	30.242.10

# PS-VE1



## Performance features

- » External compact power supply unit, 230 V AC
- » For controlling 24 V DC drives
- » Up to 1 A total drive current
- » Activation, e.g. using 230 V AC ventilation button
- » Surface-mounted design

## Accessories

Operation elements



starting on page 152

Weather sensors



starting on page 146