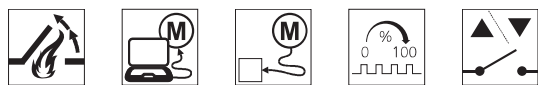


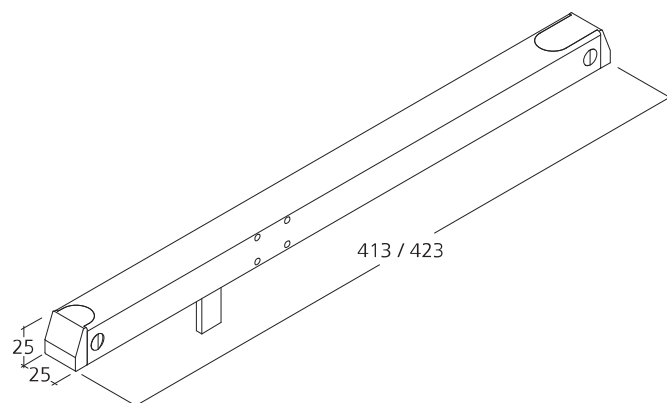
Potential drive options

You can find the explanations for the icons on the last page.



Dimensions

All specifications in mm



Technical data

	LDx
Supply	24 V DC / $\pm 15\%$ / 0.8 A
Duty cycle	30 % (ON: 3 min. / OFF: 7 min.)
Nominal force (max.)	900 N
Service life	20000 double strokes
Stroke	28,5 - 80 mm
OPEN running speed (max.)	2.1 mm/s
CLOSED running speed (max.)	2.1 mm/s
Type of protection	IP 50
Emission sound pressure level	LpA ≤ 70 dB(A)
Temperature range	-5 °C ... +75 °C
Fire resistance	B300 (30 min / 300 °C)
Housing	V2A stainless steel
Connection	Silicone cable
W x H x D (max.)	423 x 25 x 25 mm
Weight	1.20 kg

Design

Type	Art. No.	Remark
LDx	24.020.10	Variable equipment possible

LDx



Performance features

- » Can be used for openings for smoke exhaust; D+H Euro SHEV in accordance with EN 12101-2; and for daily ventilation
- » With motor electronics controlled via microprocessor
- » High pressure and tensile force with very compact dimensions
- » Force and position control for synchronous run of two drives
- » Corrosion-protected drive components
- » Programmable drive functions and different drive parameters
- » Additional passive and active anti-trap protection system for the main closing edges with reversing function
- » Louvre window drive can be adapted for all common louvre manufacturers (such as EuroLam, Fieger, HAHN, NACO, Schneider + Nölke)

Approvals / Certificates

Find out about permission details from your D+H Partner.

Article also available with the following permissions under other article numbers. Technical data may deviate.

