

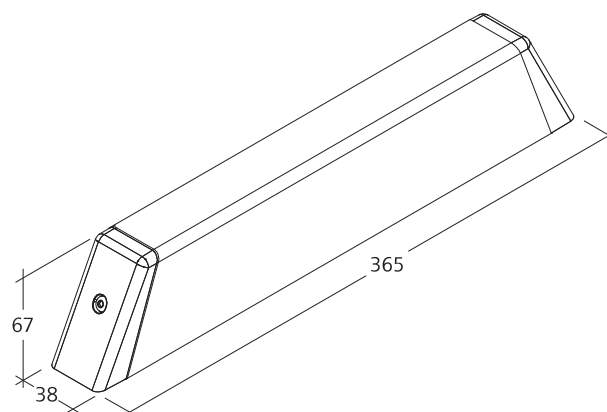
Potential drive options

You can find the explanations for the icons on the last page.



Dimensions

All specifications in mm



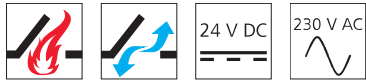
Technical data

	LDx-1400-1-PLP	LDx-1800-1-PLP	LDx-1400-5	LDx-1800-5
Supply	24 V DC / $\pm 20\%$ / 1.4 A	24 V DC / $\pm 20\%$ / 1.6 A	230 V AC / +10 % ... -15 % / 65 VA	230 V AC / +10 % ... -15 % / 75 VA
Force of pressure	1400 N	1800 N	1400 N	1800 N
Tensile force	1400 N	1800 N	1400 N	1800 N
Nominal locking force	5000 N			
Service life	20000 double strokes			
Stroke	36 - 90 mm			
OPEN running speed	2 mm/s			
CLOSED running speed	2 mm/s			
Type of protection	IP 40			
Emission sound pressure level	LpA ≤ 45 dB(A)			
Temperature range	-5 °C ... +75 °C			
Fire resistance	B300 (30 min / 300 °C)			
Housing	Aluminium			
Surface	Anodized			
Colour	Special colour according to RAL			
Connection	Silicone cable			
W x H x D	365 x 67 x 38 mm			

Design

Type	Art. No.	Weight	Remark
LDx-1	24.021.10	1.50 kg	Variable equipment possible
LDx-5	24.021.15	1.50 kg	Variable equipment possible

LDx-1-PLP / LDx-5



Performance features

- » Max. force of pressure and tensile force of 1400 N and 1800 N
- » Holding force of 5000 N for very large louvre windows
- » Louvre window drive can be adapted for all common louvre manufacturers (such as EuroLam, Fieger, HAHN, NACO, Schneider + Nölke)
- » Centrally supported driver position
- » Developed based on DIN EN 12101-2
- » Can be used for openings for smoke exhaust and for daily ventilation
- » With motor electronics controlled via microprocessor
- » With a sound pressure level of $L_pA \leq 45$ dB(A), the drive is among the quietest of its class
- » Corrosion-protected drive components
- » Programmable drive functions and different drive parameters (LDx-1-PLP)
- » Additional passive and active anti-trap protection system for the main closing edges with reversing function

Approvals / Certificates

Find out about permission details from your D+H Partner.

