

Possible applications

Illustration provided as an example



- » Mounted installation
- » Sash mounting
- » Frame mounting
- » Application force
- » Application tension

1

2

3

4

5

6

7

8

9

10

11

12

13

14

15

KA-TW-K-BSY+

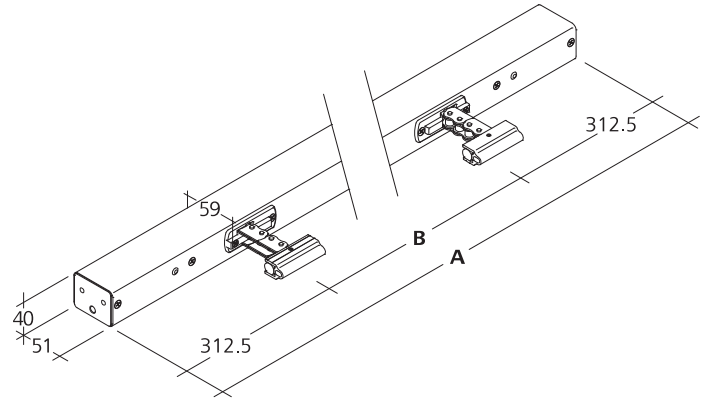
Potential drive options

You can find the explanations for the icons on the last page.



Dimensions

All specifications in mm

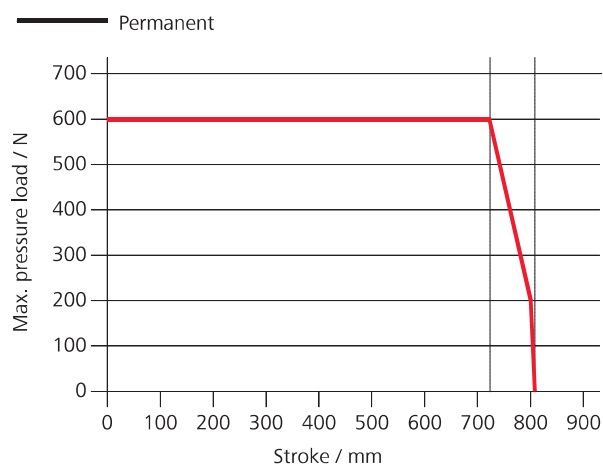


Design

Type	Art. No.	Dimension A	Dimension B	Remark
KA-TW-K-BSY+	26.014.00			Variable equipment possible
KA 66/xxx-TW065-K		1275 mm	650 mm	
KA 66/xxx-TW1-K		1625 mm	1000 mm	

Brackets are not included and have to be ordered separately; suitable brackets starting on page 190

Pressure load diagram



Technical data

KA 66-TW-K

Supply	230 V AC / +10 % ... -15 %
Input frequency	50 Hz
Performance	45 W / 75 VA
Duty cycle	30 % (ON: 3 min. / OFF: 7 min.)
Force of pressure	600 N
Tensile force	600 N
Nominal locking force	3000 N
Service life	20000 double strokes *
Stroke	350 - 800 mm
OPEN running speed	12.2 mm/s
OPEN running speed - SHEV	16.1 mm/s
CLOSED running speed	11.8 mm/s
Type of protection	IP 32
Emission sound pressure level	LpA ≤ 70 dB(A)
Temperature range	-5 °C ... +75 °C
Fire resistance	B300 (30 min / 300 °C)
Housing	Aluminium
Surface	Powder-coated
Connection	Silicone cable
Dimension A	1275 / 1625 mm

For an illustration of the dimensions, see the next page.

* For vertical use, please consult with D+H Sales!

KA-TW-K-BSY+



Performance features

- » Can be used for openings for smoke exhaust; D+H Euro SHEV in accordance with EN 12101-2; and for daily ventilation
- » With BSY+ motor and synchronised electronics controlled via microprocessor
- » Direct control via 230 V AC
- » 2 drive chains for optimal power application to the sash
- » Special chain stabilisation
- » Relief of pressure on window gasket after closing process
- » Electronic force and position control
- » Programmable drive functions and different drive parameters
- » Running speed in CLOSED direction decreases to 5 mm/s (passive closing edge protection)
- » Time-controlled reversing when an obstacle is detected in the CLOSED direction (active closing edge protection)

Approvals / Certificates

Find out about permission details from your D+H Partner.

