

Possible applications

Illustration provided as an example



- » Mounted installation
- » Sash mounting
- » Frame mounting
- » Application force
- » Application tension
- » Drawbridge application

1

2

3

4

5

6

7

8

9

10

11

12

13

14

15

KA-K-BSY+ Set

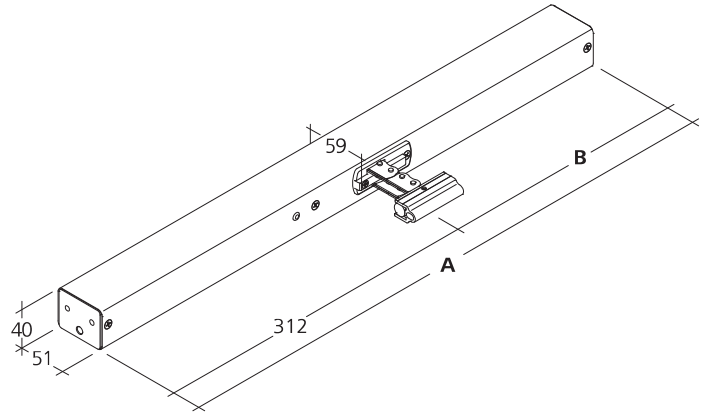
Potential drive options

You can find the explanations for the icons on the last page.



Dimensions

All specifications in mm



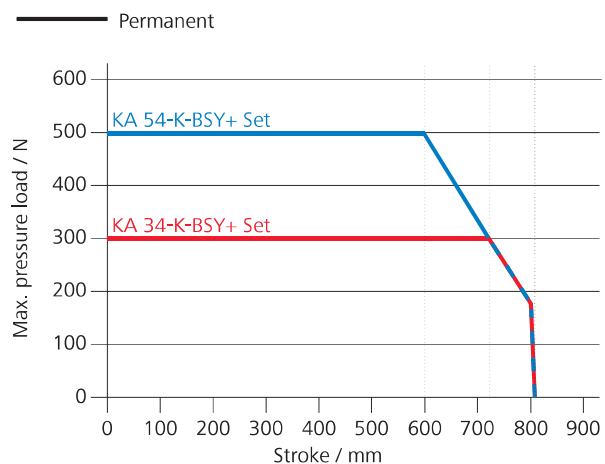
Design

Type	Art. No.	Dimension A	Remark
KA-K-BSY+ Set	26.007.00	560 - 1041 mm	Variable equipment possible

Brackets are not included and have to be ordered separately; suitable brackets starting on page 184

Pressure load diagram

Specification per drive



Technical data

Specification per set

	KA 34-K-BSY+ Set	KA 54-K-BSY+ Set
Supply	230 V AC / +10 % ... -15 % / 50 Hz	
Input frequency	50 Hz	
Performance	45 W / 75 VA	75 W / 115 VA
Duty cycle	30 % (ON: 3 min. / OFF: 7 min.)	
Force of pressure	300 N	500 N
Tensile force	300 N	500 N
Nominal locking force	2000 N	
Service life	20000 double strokes *	
Stroke	350 - 1300 mm	
OPEN running speed	11.8 mm/s	
OPEN running speed - SHEV	12.2 mm/s	13.3 mm/s
CLOSED running speed	11.8 mm/s	
Type of protection	IP 32	
Emission sound pressure level	LpA ≤ 70 dB(A)	
Temperature range	-5 °C ... +75 °C	
Fire resistance	B300 (30 min / 300 °C)	
Housing	Aluminium	
Surface	Powder-coated	
Connection	Silicone cable	
Dimension A	560 - 1041 mm	

For an illustration of the dimensions, see the next page.

* For vertical use, please consult with D+H Sales!

KA-K-BSY+ Set



BSY+ set consisting of: Standard + left-hand "L" drive

Performance features

- » Can be used for openings for smoke exhaust; D+H Euro SHEV in accordance with EN 12101-2; and for daily ventilation
- » With BSY+ motor and synchronised electronics controlled via microprocessor
- » Direct control via 230 V AC
- » 2 drives in one synchronous group possible
- » Special chain stabilisation
- » Relief of pressure on window gasket after closing process
- » Programmable drive functions and different drive parameters
- » Running speed in CLOSED direction decreases to 5 mm/s (passive closing edge protection)
- » Time-controlled reversing when an obstacle is detected in the CLOSED direction (active closing edge protection)

Approvals / Certificates

Find out about permission details from your D+H Partner.

