

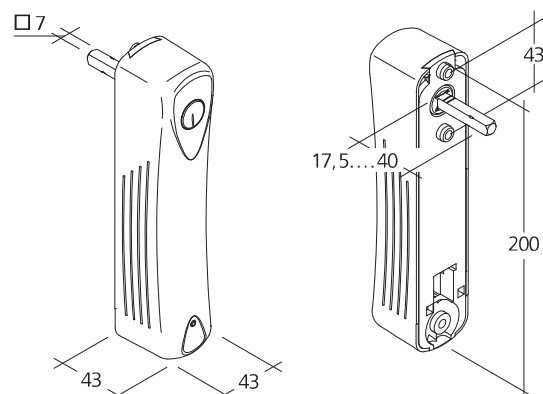
Potential drive options

You can find the explanations for the icons on the last page.



Dimensions

All specifications in mm



Technical data

	FRA 11-BSY+
Supply	24 V DC / $\pm 15\%$ / 1 A
Duty cycle	30 % (ON: 3 min. / OFF: 7 min.)
Torque	10 Nm
Rotation angle	90° / 180°
Service life	> 10000 cycles
Type of protection	IP 40
Emission sound pressure level	LpA \leq 70 dB(A)
Temperature range	-5 °C ... +75 °C
Fire resistance	B300 (30 min / 300 °C)
Housing	Polyamide
Surface	Painted
Colour	Silver (~ RAL 9006)
Connection	2.5 m silicone cable
W x H x D	43 x 200 x 43 mm
Weight	0.75 kg

Design

Type	Art. No.	Remark
FRA 11-BSY+	24.000.11	
FRA-BSY+	24.000.10	Variable equipment possible

FRA 11-BSY+



Performance features

- » With motor electronics controlled via microprocessor for communication and sequence control of connected BSY+ and PLP window drives for opening windows
- » To be used in conjunction with an internal chamber gearbox and 43 mm mounting distance
- » BRV (for PLP) or VP (for BSY+ / ACB) option required for connected window drive
- » Up to 4 FRA 11-BSY+ drives on one window possible
- » Position display for the locking mechanism
- » LED status display for the drive
- » Automatic locking mechanism for the window
- » Increased burglary protection

Approvals / Certificates

Find out about permission details from your D+H Partner.

