

## Fibershield®-S

The room creating textile fire protection closure that goes around the corner

### Product Description

textile fire protection curtain

Fire protection that goes around corners: The basic surface of the closure can be created as a rectangular and polygon-shape with angles between 30° and 150°. No support elements are required despite corner designs. In addition to closed polygon forms, open systems can also be realised that close against the wall using special guide rails. A spring-mounted closure strip serves to create a clean closure to the ceiling. The fire protection curtain can be closed without any external energy using a stand installed 'Gravigen' drive system. The Fibershield-S allows complex shield geometries to be realised and at the same time satisfies and the requirements of the room closure for more than 90 minutes.

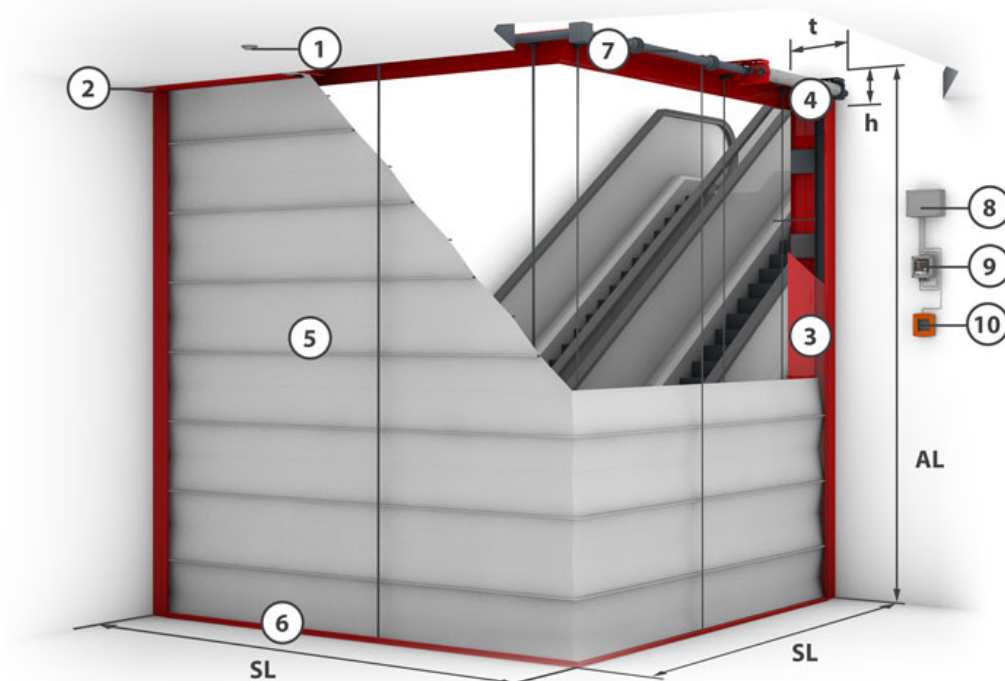
---

<b>construction type</b>	textile fire protection curtain	<b>closing direction</b>	from top to bottom
<b>executable protection target</b>	EI - with fire load free zone • EW 90 • EI - with sprinklers	<b>proof</b>	IBS 08062416
<b>fabric</b>	Ecotex 1100 A2 • Heliotex	<b>closing cycle</b>	C1 number of closing cycles 500
<b>fire load free zone</b>	Protex/Ecotex: EI 30/60/90min 100/150/200 cm • Heliotex: EI 30/60/90min 20/30/50 cm		

---

## Constructive structure (System drawing)

Fabric	System width	Drop length	t	h
Ecotex 1100 A2	< 50 m	< 3 m	490 mm	125 mm
Ecotex 1100 A2	< 50 m	> 3 m - ≤ 6 m	490 mm	225 mm
Heliotex EW 90	< 50 m	< 2,2 m	490 mm	125 mm
Heliotex EW 90	< 50 m	> 2,2 m - ≤ 2,5 m	490 mm	225 mm
Heliotex EW 90	< 50 m	> 4,5 m - ≤ 6 m	490 mm	450 mm

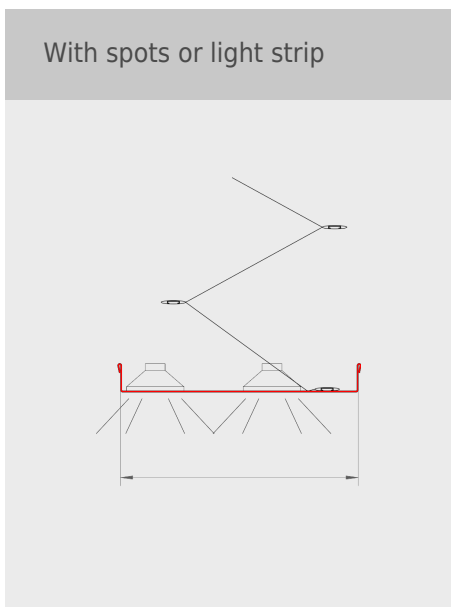
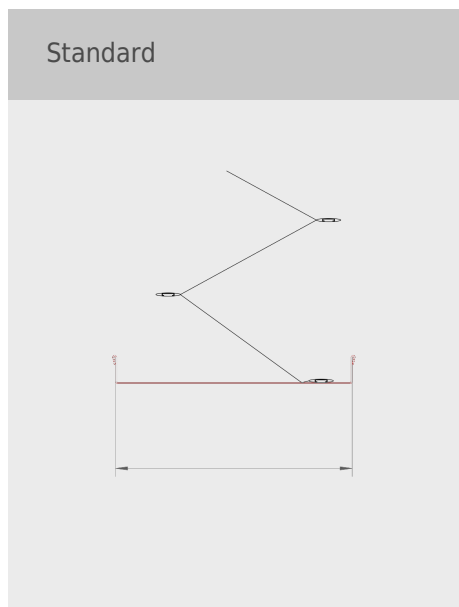


1 = Smoke detector 2 = Casing 3 = Side guides 4 = Tubular motor 5 = Fabric 6 = Closing element 7 = Coil 8 = Control module  
 9 = Control with operating unit 10 = Manual release SL = System length

## bottom bar

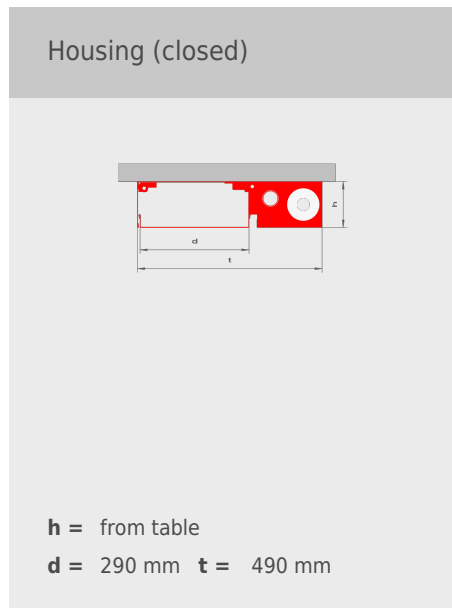
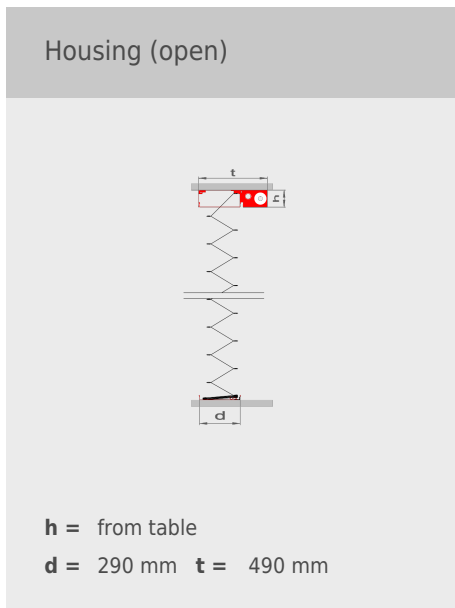
standard

special



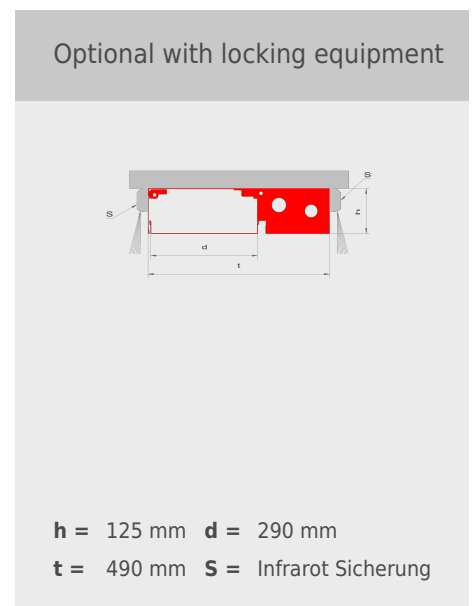
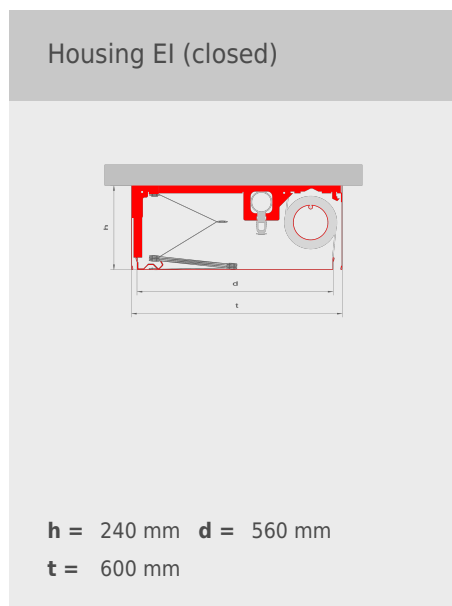
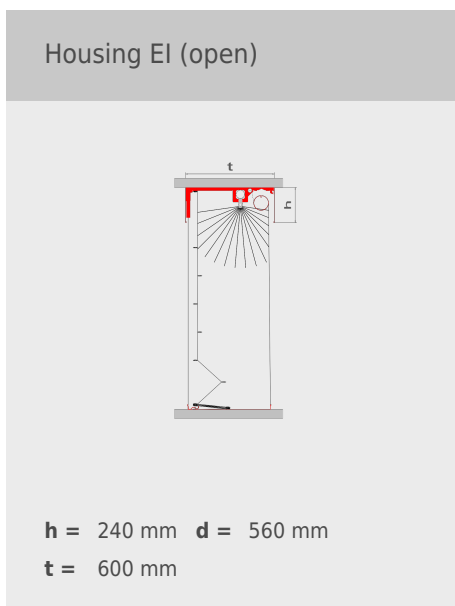
## housing

### standard



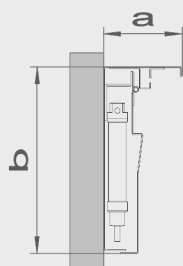
## housing

### special



## side guides

Guide for open polygons



**a** = 117 mm **b** = 278 mm

## references

Segeberger clinics

