

## Possible applications

Illustration provided as an example



- » Mounted installation
- » Sash mounting
- » Frame mounting
- » Side installation
- » Installation opposite the hinge
- » Application force
- » Application tension

1

2

3

4

5

6

7

8

9

10

11

12

13

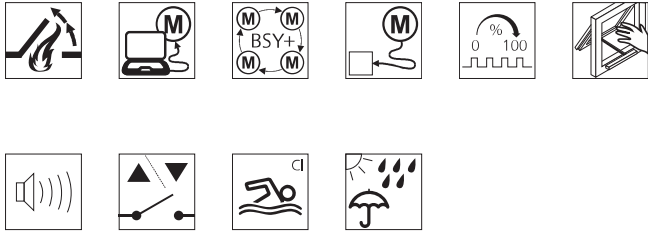
14

15

# DXD 300-BSY+ HS / DXD 300-K-BSY+ HS

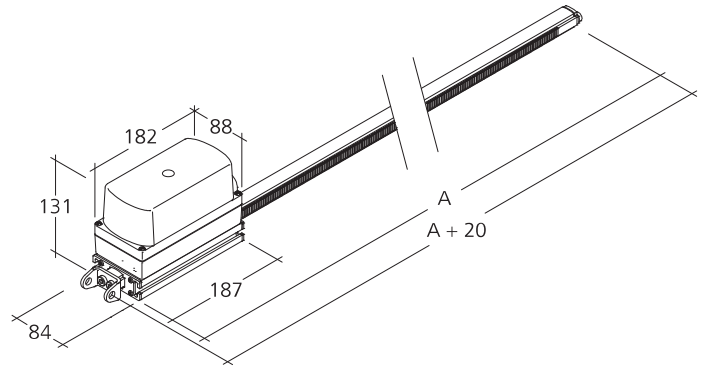
## Potential drive options

You can find the explanations for the icons on the last page.



## Dimensions

All specifications in mm

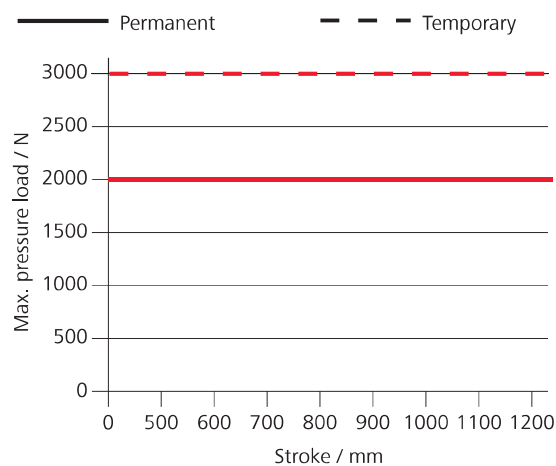


## Design

Type	Art. No.	Dimension A	Remark
DXD 300/1000-BSY+ OT-HS	20.027.20	706 - 1706 mm	
DXD 300-BSY+	20.022.06	706 - 1706 mm	Variable equipment possible
DXD 300-K-BSY+	20.022.08	706 - 1706 mm	Variable equipment possible

Brackets are not included and have to be ordered separately; suitable brackets starting on page 206

## Pressure load diagram



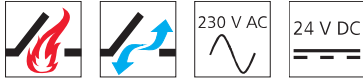
## Technical data

	DXD 300-BSY+ HS	DXD 300-K-BSY+ HS
Supply	24 V DC / $\pm 15\%$ / 1.4 A	230 V AC / +10% ... -15% / 175 VA
Duty cycle	30 % (ON: 3 min. / OFF: 7 min.)	
Force of pressure	3000 N	
Tensile force	2000 N	
Nominal locking force	2200 N	
Service life	20000 double strokes *	
Stroke	500 - 1500 mm	
OPEN running speed	7.1 mm/s	
OPEN running speed - HS	17 mm/s	
CLOSED running speed	7.1 mm/s	
Type of protection	IP 64	
Emission sound pressure level	LpA $\leq$ 70 dB(A)	
Temperature range	-5 °C ... +75 °C	
Fire resistance	B300 (30 min / 300 °C)	
Housing	Aluminium / Polycarbonate	
Surface	Powder-coated	
Connection	Silicone cable	
Dimension A	706 - 1706 mm	

For an illustration of the dimensions, see the next page.

\* For vertical use, please consult with D+H Sales!

# DXD 300-BSY+ HS / DXD 300-K-BSY+ HS



## Performance features

- » Can be used for openings for smoke exhaust; D+H Euro SHEV in accordance with EN 12101-2; and for daily ventilation
- » With BSY+ motor and synchronised electronics controlled via microprocessor
- » Direct control via 230 V AC
- » High-speed function (HS) for especially fast opening windows in case of fire (SHEV)
- » Option of up to 4 drives in one synchronous group
- » Groove in the drive tube for flexible installation and configuration of the swivel range
- » Option of cable infeed above and below
- » Programmable drive functions and different drive parameters
- » Running speed in CLOSED direction decreases to 5 mm/s (passive closing edge protection)
- » Time-controlled reversing when an obstacle is detected in the CLOSED direction (active closing edge protection)

## Approvals / Certificates

Find out about permission details from your D+H Partner.

Article also available with the following permissions under other article numbers. Technical data may deviate.



5014068.18004

