

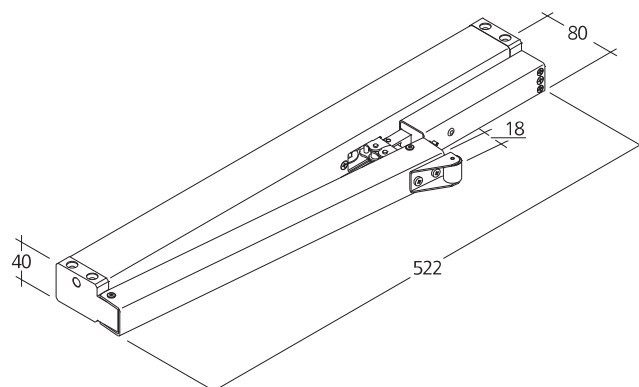
Potential drive options

You can find the explanations for the icons on the last page.



Dimensions

All specifications in mm



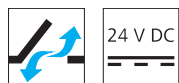
Technical data

	DDS 54
Supply	24 V DC / $\pm 15\%$ / 1 A
Duty cycle	30 % (ON: 3 min. / OFF: 7 min.)
Force of pressure	500 N
Tensile force	500 N
Service life	20000 double strokes
OPEN running speed	11.8 mm/s
CLOSED running speed	11.8 mm/s
Type of protection	IP 32
Emission sound pressure level	LpA ≤ 70 dB(A)
Temperature range	-5 °C ... +75 °C
Fire resistance	B300 (30 min / 300 °C)
Housing	Aluminium
Surface	Powder-coated
Colour	White aluminium (~ RAL 9006)
Connection	2.5 m silicone cable
W x H x D	522 x 40 x 80 mm
Weight	2.00 kg

Design

Type	Art. No.	Stroke	Remark
DDS 54/500	23.002.40	500 mm	
DDS-PLP	26.500.00	500 mm	Variable equipment possible

DDS 54



Performance features

- » For opening single-leaf doors up to 90°
- » With motor electronics controlled via microprocessor
- » High force of pressure due to special chain stabilisation
- » Control output for on-site electronic door release
- » Guarantees the necessary supply air and open escape routes
- » The door remains operable by hand
- » Automatic motor lock, Ikon or Ehem, can be combined
- » Programmable drive functions and different drive parameters
- » Additional passive and active anti-trap protection system for the main closing edges
- » Bracket set included

Approvals / Certificates

Article also available with the following permissions under other article numbers. Technical data may deviate. Find out about permission details from your D+H Partner.

