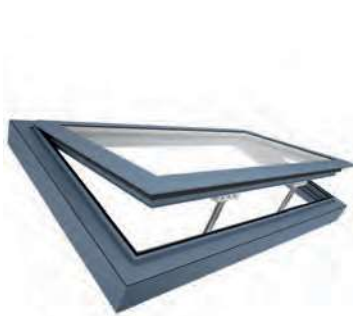


## Possible applications

Illustration provided as an example



- » Mounted installation
- » Frame mounting
- » Application force
- » Application tension

1

2

3

4

5

6

7

8

9

10

11

12

13

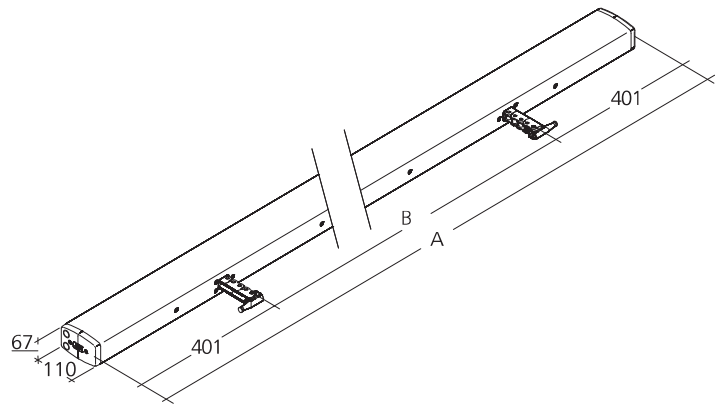
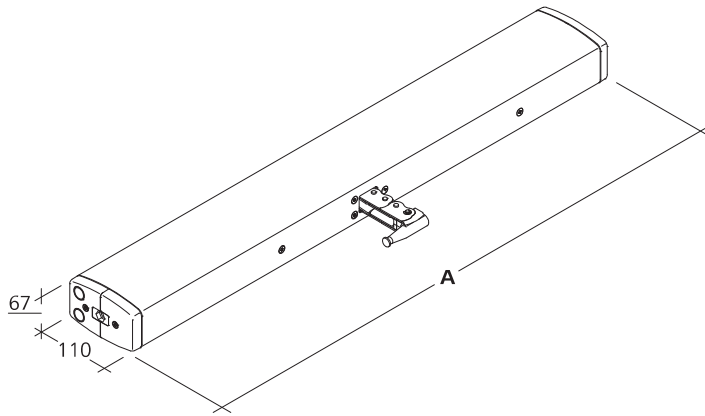
14

15

# CDP-K-BSY+ / CDP-TW-K-BSY+

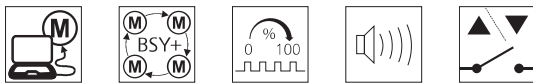
## Dimensions

All specifications in mm



## Potential drive options

You can find the explanations for the icons on the last page.

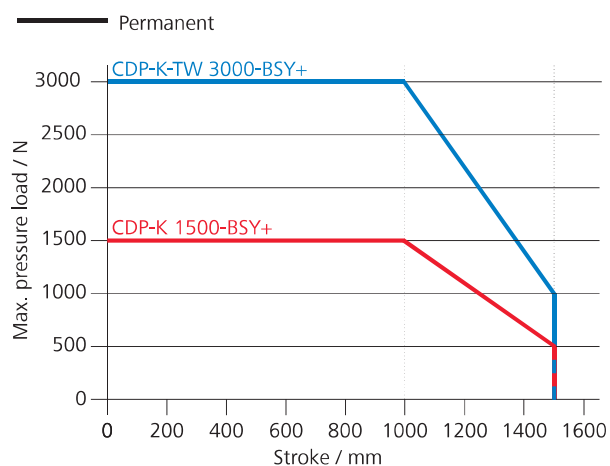


## Design

Type	Art. No.	Dimension A	Dimension B	Remark
CDP-K-BSY+	26.602.00	702 - 1264 mm		Variable equipment possible
CDP-TW-K-BSY+	26.603.00	1672 / 2002 mm	870 / 1200 mm	Variable equipment possible

Brackets are not included and have to be ordered separately; suitable brackets starting on page 194

## Pressure load diagram



## Technical data

	CDP 1500-K-BSY+	CDP-TW 3000-K-BSY+
Supply	230 V AC / +10 % ... -15 %	
Input frequency	50 Hz	
Performance	80 W / 107 VA	160 W / 214 VA
Duty cycle	30 % (ON: 3 min. / OFF: 7 min.)	
Force of pressure	1500 N	3000 N
Tensile force	1000 N	2000 N
Nominal locking force	1500 N	3000 N
Service life	> 10000 double strokes	
Stroke	800 - 1500 mm	
OPEN running speed	6 mm/s	
OPEN running speed - SHEV	17.7 mm/s	
CLOSED running speed	6 mm/s	
Type of protection	IP 32	
Emission sound pressure level	LpA ≤ 70 dB(A)	
Temperature range	-5 °C ... +75 °C	
Fire resistance	B300 (30 min / 300 °C)	
Housing	Aluminium	
Surface	Powder-coated	
Connection	2.5 m silicone cable	
Dimension A	702 - 1264 mm	1672 / 2002 mm

For an illustration of the dimensions, see the next page.

# CDP-K-BSY+ / CDP-TW-K-BSY+



## Performance features

- » Can be used for openings for smoke exhaust; D+H Euro SHEV in accordance with EN 12101-2; and for daily ventilation
- » With BSY+ motor and synchronised electronics controlled via microprocessor
- » Direct control via 230 V AC
- » High-speed function (HS) for especially fast opening windows in case of fire (SHEV)
- » Option of up to 4 drives (CDP-K-BSY+) / 2 drives (CDP-TW-K-BSY+) in one synchronous group
- » Symmetrical chain outlet for easy installation
- » Relief of pressure on window gasket after closing process
- » Programmable drive functions and different drive parameters
- » Running speed in CLOSED direction decreases to 5 mm/s (passive closing edge protection)
- » Time-controlled reversing when an obstacle is detected in the CLOSED direction (active closing edge protection)

## Approvals / Certificates

Find out about permission details from your D+H Partner.



5014068.18001



Article also available with the following permissions under other article numbers. Technical data may deviate.



CNBOP-PEB