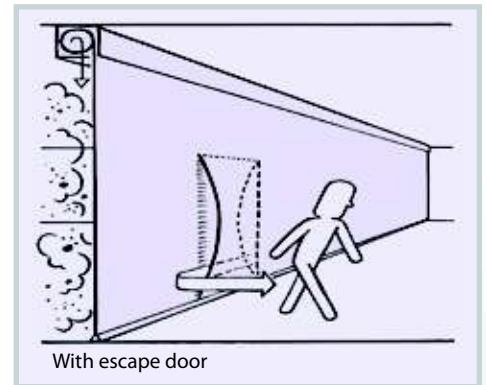
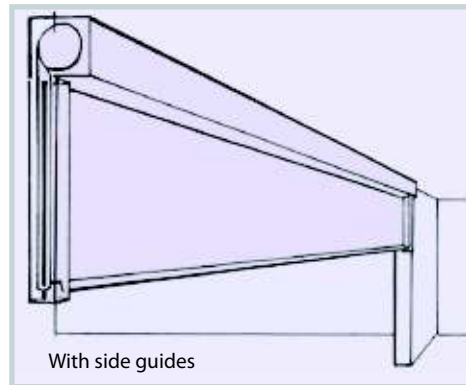
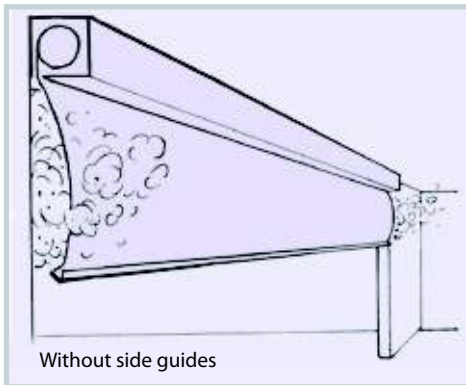


Supercoil

No. 0761 - CPD 0060
 Characteristics of the complete smoke curtain during a fire are according to the approval no. Z-PA-III 4.935

The traditional automatic smoke curtain to match highest demands and large dimensions



System Description

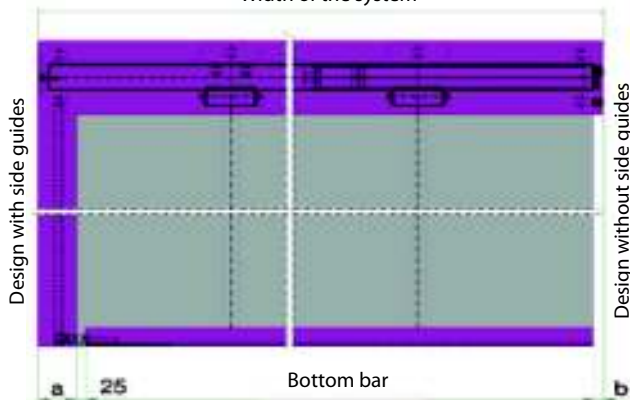
- made of one piece up to 50 metres in width and 9,5 metres drop
- for highest time classifications in case of fire load D = up to 600°C and DH (STTC)
- no openings remaining within the casing area
- only one drive unit is necessary, therefore reduced complexity for the installation

- using side guides achieves 0% leakage in reference to the whole smoke curtain
- highest variability concerning engineering and design
- standard drive system „Gravigen“, closing without auxiliary power, no fire resistant cables are necessary
- for smoke curtains closing down to the floor level an escape door can be equipped as an option

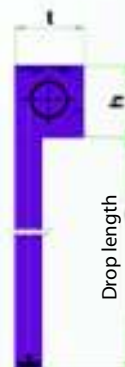
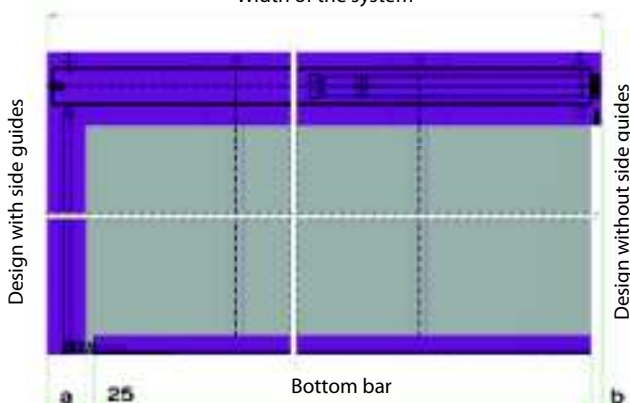
- the system has a weight between 20 and 30 kg/m system width
- also suitable (and approved) as smoke curtain that is flush with the floor

Dimensions

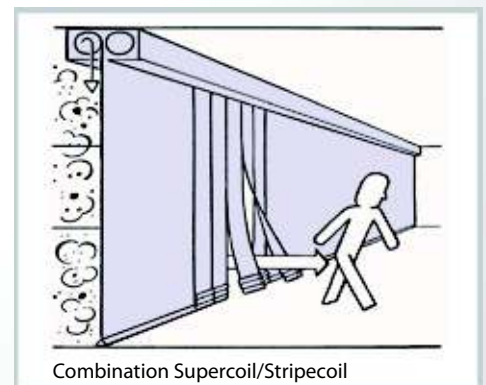
Width of the system



Width of the system



a = Side guide
 b = Gap without side guide



- Combination Stripecoil with technology of Supercoil for person passage in restricted areas

system table (without side guides)

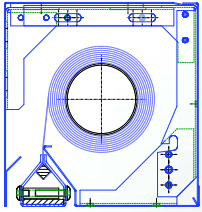
Fabric	Width of the system	Drop length	t (mm)	h (mm)
Protex 600 / 1000	< 50 m	≤ 3,5 m	190	200
Protex 600 / 1000	< 50 m	> 3,5 m - ≤ 6 m	190	250
Protex 600 / 1000	< 50 m	> 6 m - ≤ 9 m	235	290

system table (with side guides)

Fabric	Width of the system	Drop length	t (mm)	h (mm)
Protex 600 / 1000	< 30 m	≤ 3,5 m	190	200
Protex 600 / 1000	< 30 m	> 3,5 m - ≤ 6 m	190	250
Protex 600 / 1000	< 30 m	> 6 m - ≤ 9 m	235	290



Range of casings



Standard - fixed bearing



Standard - floating bearing



Range of special constructions



Bottom bars

Standard for small widths



44
4,6 type



44
Heavy type 9,6



24
Narrow type 5,61

Standard for large widths



61
3,84 F type



61
3,84 FK type



84

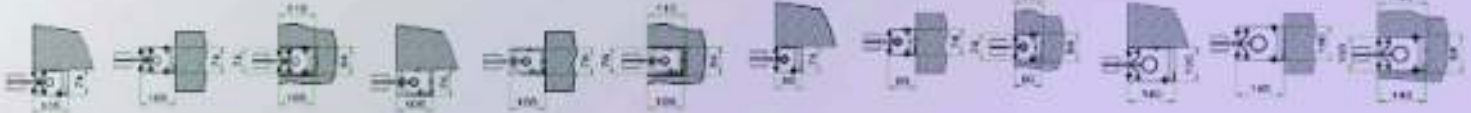
Self levelling bottom bar without safety edge

Self levelling, as an option with safety edge

Self levelling bottom bar without safety edge, underneath the ceiling

Range of side guides

Type	Drop length	Size
80 E	≤ 3,5 m	≤ 18 m ²
105 E	≤ 6 m	≤ 50 m ²
105 V	≤ 6 m	≤ 70 m ²
140 E	≤ 9 m	≤ 120 m ²



Type 105 E
Installation to the wall

Type 105 E
Installation in the embrasure

Type 105 E
Installation in the niche

Type 105 V
Installation to the wall

Type 105 V
Installation in the embrasure

Type 105 V
Installation in the niche

Type 80 E
Installation to the wall

Type 80 E
Installation in the embrasure

Type 80 E
Installation in the niche

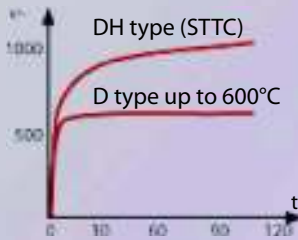
Type 140 E
Installation to the wall

Type 140 E
Installation in the embrasure

Type 140 E
Installation in the niche

CE-classification

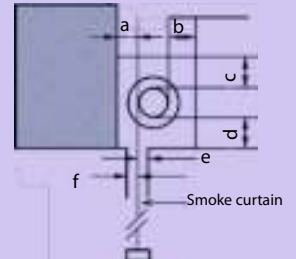
Patented tubular motor with Gravity Fail Safe technology



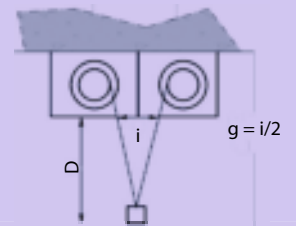
Labelling EN 12101-1	Stöbich Supercoil system
Automatic smoke curtain	ASB 1 / ASB 3 type closing without electric power
Temperature classification	D60 (600°C/60 min.) DH120 (1.100°C/120 min.)
Closing speed (depends on the drive)	from 0,15 m/sec. to 0,30 m/sec. e.g. drop length 9 m = within 60 s in the closed position
Gap - casing (a-f)	0 mm
Gap - edges (g) embrasure	g = 0 mm with side guide g = 15 mm + 30 mm for fixed bearing without side guide g = 30 mm + 30 mm for floating bearing without side guide
Gap - joint (h)	0 mm (standard ceiling installation)
Max. permeability of the smoke barrier fabric (max. 25 m ³ /m ² /h)	< 1 m ³ /m ² /h
Test temperature	At ambient temperature and at 200°C
Free area - casing	= Length of the casing x gap casing = L x 0 = 0 mm ²
Free area - edges	= D x gap edges
Free area - joints	= D x gap - joint x number of joints
CE-Certificate of Conformity according to DIN EN 12101-1	0761 - CPD - 0060
Approval for fire behaviour of the fabric/of the complete smoke curtain	Z - 56.429 - 916 / Z - PA - 56.412 - 935

D = Drop length of the smoke curtain

Joint



Casing



Edges

