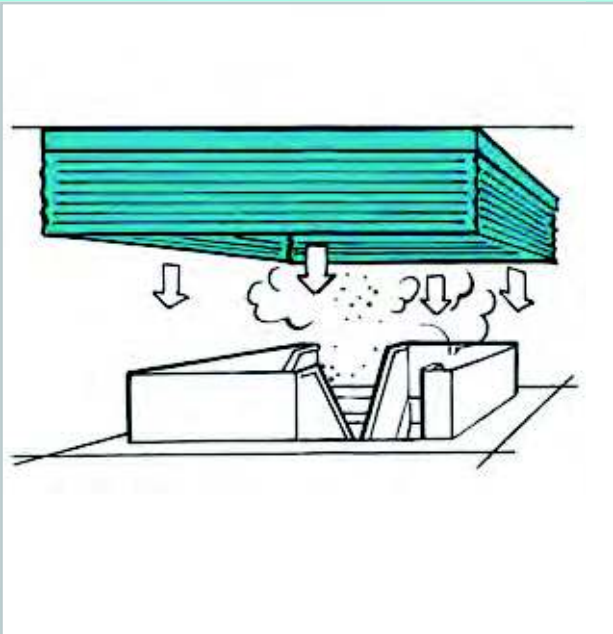


Fibershield-S

The room creating textile fire protection closure that means fire protection which goes around the corner

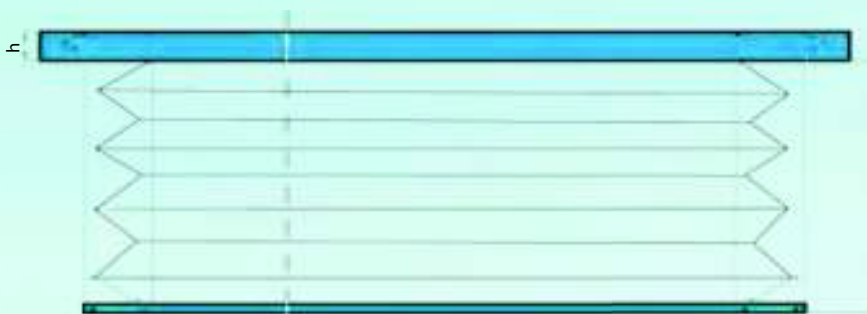


Description of the Fibershield-S system

- rectangular or polygon shaped base area of the closure
- rectangular corners or differing from the right angle 30° up to 150°
- creates corners without additional columns - low installation height
- self levelling bottom bar to give a flush sealing with the ceiling
- warp free bottom bars even in cases of temperature influence
- closed polygon shape or open systems with connection to the wall by special side guides, length up to 50' and a drop length of up to 19'9"
- drive system "Gravigen" as a standard – closing without auxiliary power, no fire-rated cables necessary
- high number of cycles of the motors
- redundant drive units as fall protection
- large fire protection closures according to UL 10 B / UL 10 D

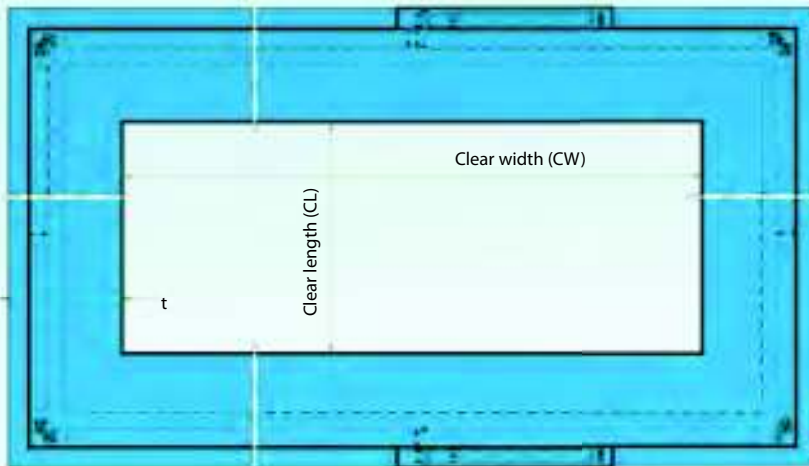
System description Fibershield-S

- additional unrolling fabric to form a chamber for the insulation by inside water sprinklers

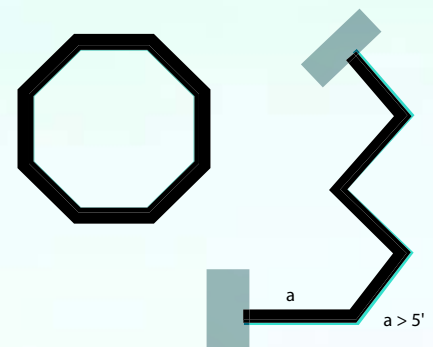


Perimeter of the system	Drop length	t (inch)	h (inch)
< 300'	9'10"	4 3/4"	9 3/4"
< 300'	9'10" - 19' 8 1/4"	8 3/4"	17 3/4"

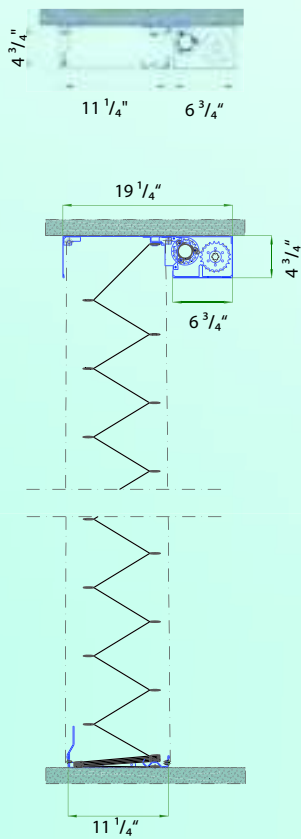
At least 2 drive units
and one more for each 33' above 65'8" perimeter



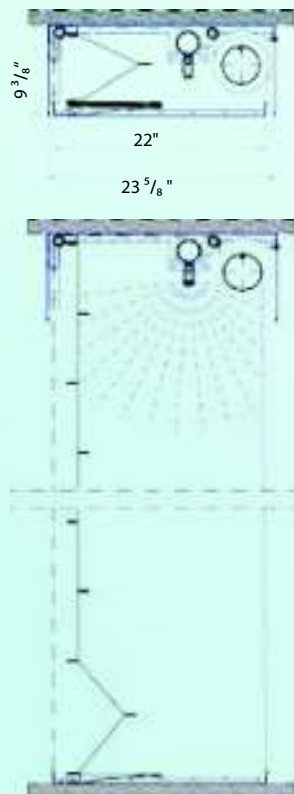
Range of runs of the fire protection closure



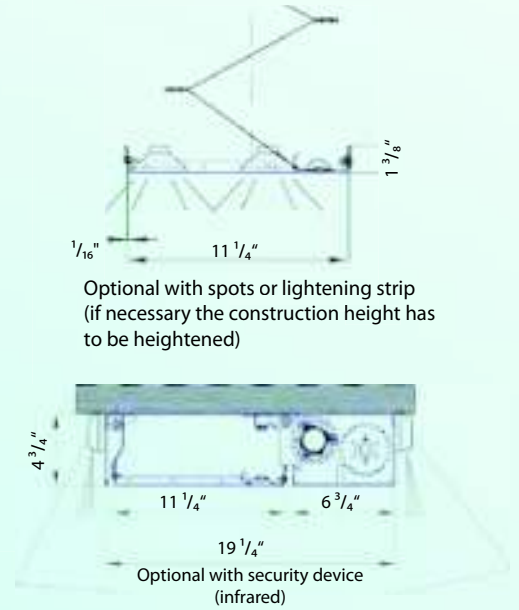
Housing S



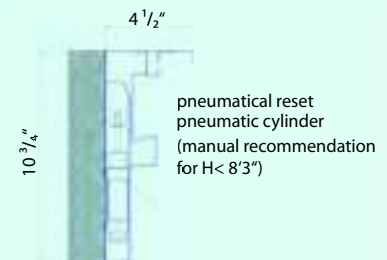
Housing S (EI 120)




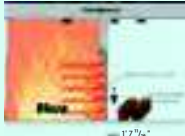


Bottom tray



Side guide for open polygones



Protection targets

Protection targets	Integrity	Integrity with limitation of the heat transmission	Insulation with intensified sprinkler protection in case of fire	Insulation by water mist in the intermediate layer
				
Classification	E 120	EW 30	EI 90	EI 120
Fabric	Ecotex 1100	Ecotex 1100	Ecotex 1100	Ecotex 1100-A2
Labeling	UL 10 B/ UL10 D	UL 10 B/ UL10 D / UL 864	IBS 08062416	Currently tested
Test Report	UL 864 OSHPD CA certificate	IBS 08062415 UB 3.3 / 10-018-1		
Water irrigation			